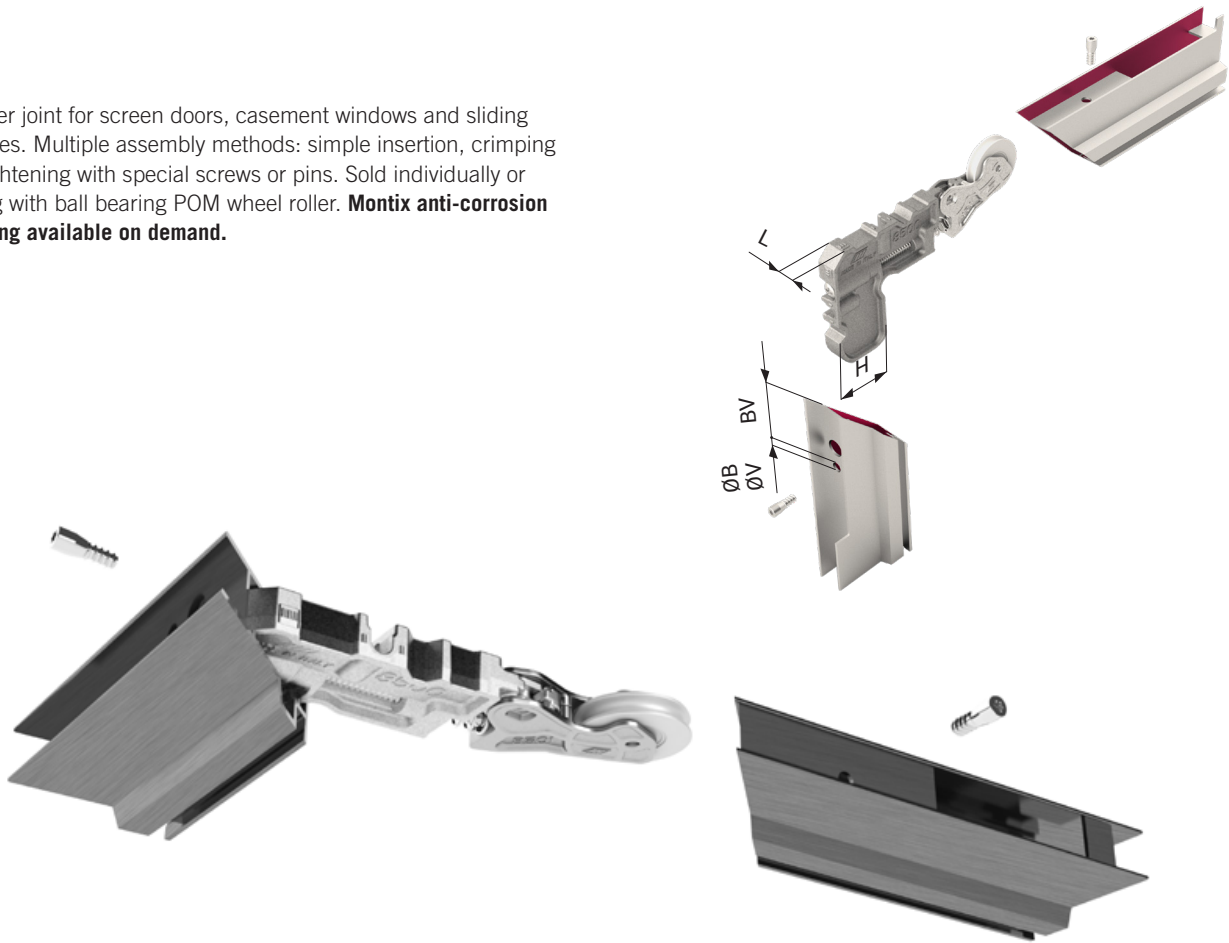


ROBSON



Video



Corner joint for screen doors, casement windows and sliding profiles. Multiple assembly methods: simple insertion, crimping or tightening with special screws or pins. Sold individually or along with ball bearing POM wheel roller. **Montix anti-corrosion coating available on demand.**



- + Adjustable roller height**
- + Smooth sliding**
- + Long lasting material**
- + Noiseless technology**

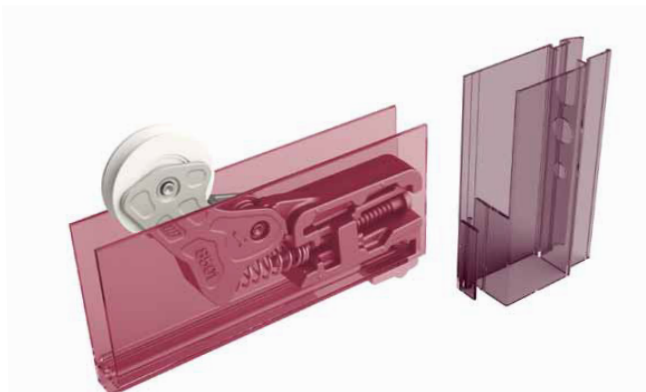
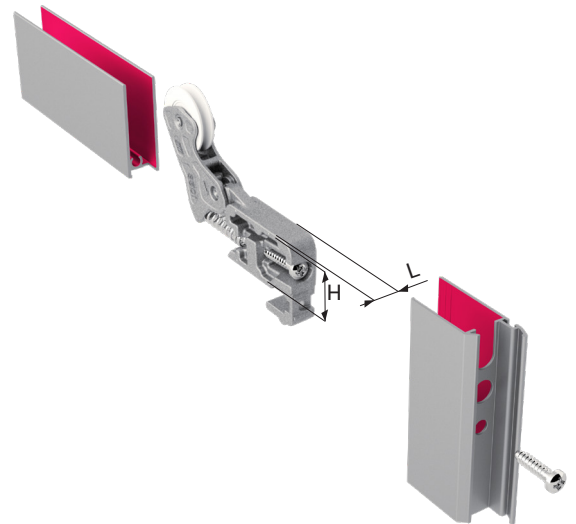
ART. N.	Descr.	L	H	B	ØB	V	ØV				
8500/250	   Ø5	10,10	28,00	30,50	5,00	30,50	5,00	3mm	0082		VILM4X14_D5 *
8500-01/250	   Ø5	10,10	28,00	30,50	5,00	30,50	5,00	3mm	0082		VILM4X14_D5

\*Without ball bearing wheel roller.

**ROBSON SQUARE CUT**



Corner joint for screen doors, casement windows and sliding profiles with square cut. Pre-installation by insertion, tighten and adjustment by Recex® screws. Sold individually or along with ball bearing POM wheel roller. **Montix anti-corrosion coating available on demand.**



- ⊕ Compatible with standard rollers
- ⊕ Easy assembly
- ⊕ Adjustable roller height
- ⊕ Long lasting material
- ⊕ Noiseless technology

ART. N.	Descr.	L	H
8600-01/250		10,60	22,50

*Available only upon request* Minimum order of 2500 pcs. for products with inox components (.X) - Minimum order of 5000 pcs. for products with Montix coating(.MX)