



FSA[®]

FENESTRATION
SOLUTIONS
AUSTRALIA

CATALOGUE
EURO HANDLE SERIES // WINDOWS & DOORS

HOPPE[®]

Roto

HAUTAU



MAKING
LIFE
BETTER

WHAT WE STAND FOR

Everyday we live our overarching purpose; to make life better for our team, our customers and to drive our industry forward. To be better than yesterday and committed to a better tomorrow through everything we do.

Ultimately, we inspire architectural innovation and improve homes to create enjoyable and efficient lifestyles. We search the world over to source the most desirable, innovative and superior products available for the Australasian market. Combining stunning aesthetic design, state-of-the-art features, and first-class thermal efficiency, FSA introduces incredibly smart solutions for Australian window & door manufacturers and their customers.

Our experience and research reflects a detailed understanding of local and international markets, technical expertise and a dedication to exceptional customer service and streamlined support. This is exemplified in our extensive portfolio demonstrating our commitment to making life better.

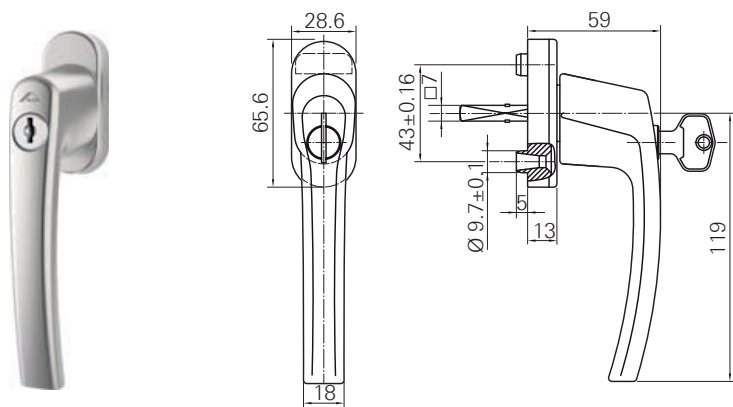


www.fsa-aus.com.au

- 4 WINDOW HANDLES - TILT & TURN
Rotoline Series
Hoppe Tokyo Series
- 6 WINDOW HANDLES - TILT BEFORE TURN
Rotoline Series
Hoppe Tokyo Series
- 7 WINDOW HANDLES - OPEN OUT
Rotoline Series
Hoppe Tokyo Series
Titon
- 9 DOOR HANDLES - BALCONY
Rotoline Series
HKS Series
- 10 DOOR HANDLES - ENTRY DOOR
Door Plus Series
Roto Stark Series
Hoppe Tokyo Series
- 12 DOOR HANDLES - SLIDING DOOR
RAD2000
Roto Slim
- 13 BI FOLD HANDLES
Flat Handle (Low Profile)
Flat Handle
- 14 DOOR HANDLES - LIFT & SLIDE
Hoppe Dallas Series
Hoppe Tokyo Series
HS Series

ROTOLINE - KEY LOCKING

Standard Roto Key locking Tilt and Turn handle on Oval base with 10mm lugs.



Item Code	Colour
227 871	F9 Titan
643 287	Silver PC
620 021	White
620 022	Black
823 762	Dark Brown

Supplied with Key

(Screws are available for separate purchase)

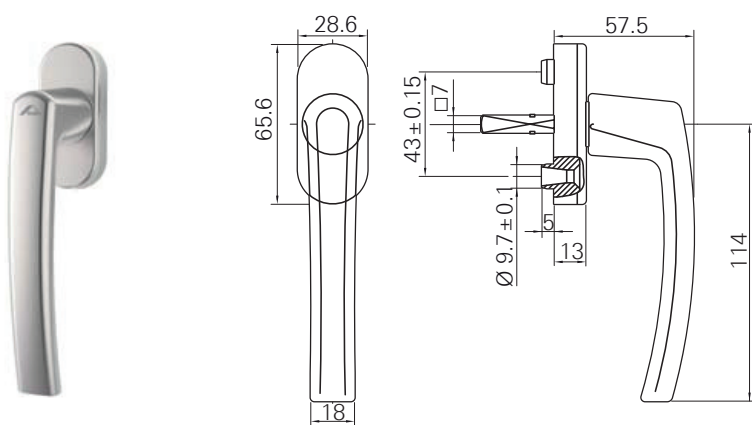
Item Code	Description
F-M5 50ZP	M5 x 50mm CSK
F-M5 60ZP	M5 x 60mm CSK
F-M5 100ZP	M5 x 100mm CSK

Material		Spindle Length	Operation
Aluminium	7mm	35-40mm	Standard



ROTOLINE - NON LOCKING

Standard Roto Tilt and Turn handle on Oval base with 10mm lugs.



Item Code	Colour
643 286	Silver PC
617 437	White
617 438	Black

(Screws are available for separate purchase)

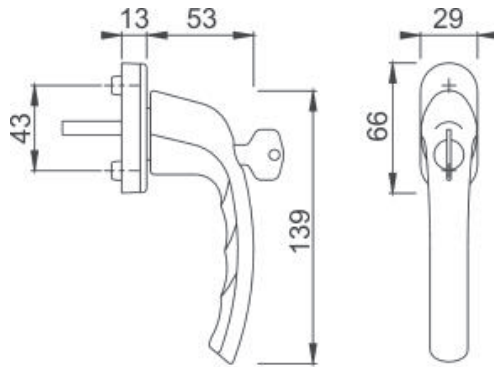
Item Code	Description
F-M5 50ZP	M5 x 50mm CSK
F-M5 60ZP	M5 x 60mm CSK
F-M5 100ZP	M5 x 100mm CSK

Material		Spindle Length	Operation
Aluminium	7mm	35-40mm	Standard



TOKYO - KEY LOCKING

Hoppe Key locking Tilt and Turn handle on Oval base with 10mm lugs.



Item Code	Colour
TOKTT-BK	Matt Black
TOKTT-CM	Cream
TOKTT-F1	F1 Silver
TOKTT-WH	White

Supplied with Key

(Screws are available for separate purchase)

Item Code	Description
F-M5 50ZP	M5 x 50mm CSK
F-M5 60ZP	M5 x 60mm CSK
F-M5 100ZP	M5 x 100mm CSK

Material		Spindle Length	Operation
Aluminium	7mm	35-40mm	Standard

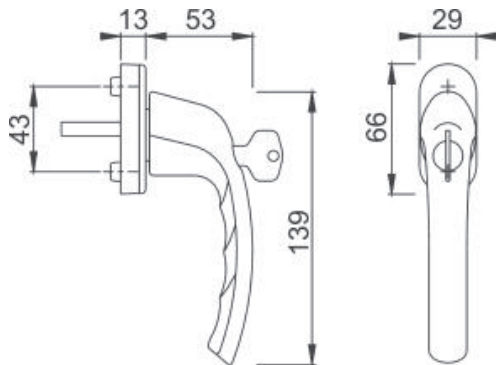


duraplus®



TOKYO - KEY LOCKING

Hoppe Tilt before Turn handle on Oval base.



Item Code	Colour
TOKTBT-BK	Matt Black

Supplied with Key

(Screws are available for separate purchase)

Item Code	Description
F-M5 50ZP	M5 x 50mm CSK
F-M5 60ZP	M5 x 60mm CSK
F-M5 100ZP	M5 x 100mm CSK

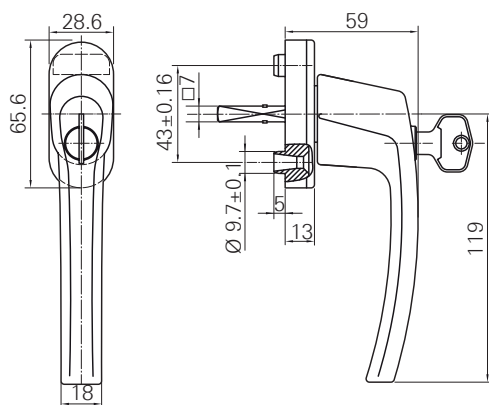
Material		Spindle Length	Operation
Aluminium	7mm	35-40mm	Tilt First



duraplus®

ROTOLINE - KEY LOCKING

Roto Tilt before Turn handle on Oval base.



Item Code	Colour
799 848	Titan
799 849	White

Supplied with Key

(Screws are available for separate purchase)

Item Code	Description
F-M5 50ZP	M5 x 50mm CSK
F-M5 60ZP	M5 x 60mm CSK
F-M5 100ZP	M5 x 100mm CSK

Material			Operation
Aluminium	7mm	35-40mm	Tilt First

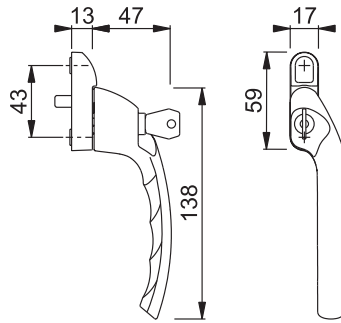


TOKYO - CRANKED & LOCKING

Hoppe cranked Casement handle.



Right hand version shown



Item Code	Colour
Right Hand	
TOK00R-F1	F1 Silver
TOK00R-WH	White
TOK00R-BK	Matt Black
Left Hand	
TOK00L-F1	F1 Silver
TOK00L-WH	White
TOK00L-BK	Matt Black

Supplied with Key

(Screws are available for separate purchase)

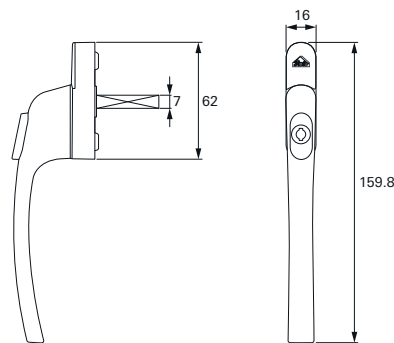
Item Code	Description
F-M5 50ZP	M5 x 50mm CSK
F-M5 60ZP	M5 x 60mm CSK
F-M5 100ZP	M5 x 100mm CSK

Material		Spindle Length	Operation
Aluminium	7mm	35mm	Standard



ROTO LINE LOCKING

Roto Open Out inline Key locking Open Out handle standard



Item Code	Colour
571 146	White
823 313	Dark Brown PC
643 333	Silver
571 142	Black PC

Supplied with Key

(Screws are available for separate purchase)

Item Code	Description
F-M5 50ZP	M5 x 50mm CSK
F-M5 60ZP	M5 x 60mm CSK
F-M5 100ZP	M5 x 100mm CSK

Material			Operation
Aluminium	7mm	35mm	90 Deg



TITON SERIES

Titon cranked low profile Casement handle.




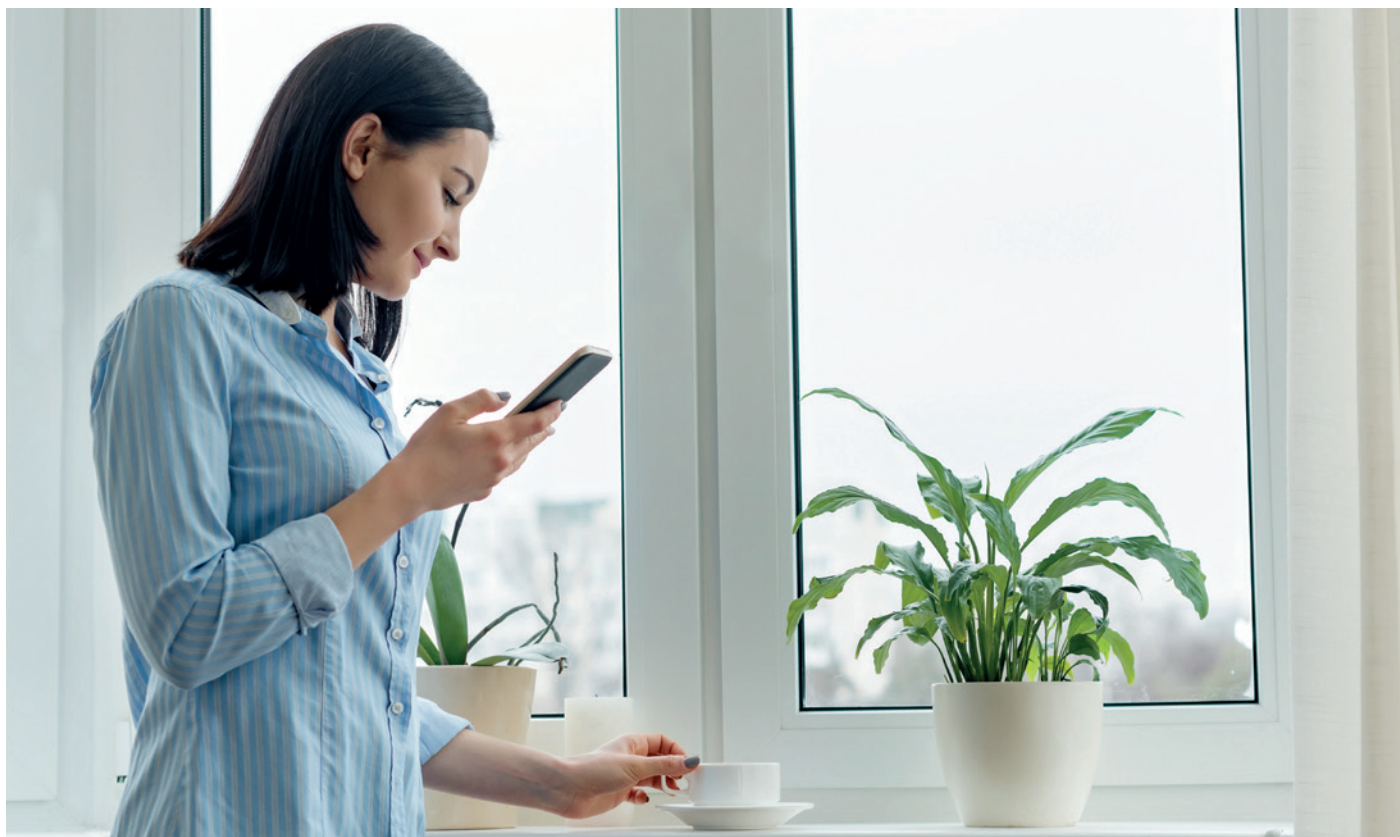
Item Code	Colour
Left Hand	
LPCHSLL	Silver PC
LPCHWHL	White
LPCHBKL	Black
Right Hand	
LPCHSLR	Silver PC
LPCHWHR	White
LPCHBKR	Black

Supplied with Key

(Screws are available for separate purchase)

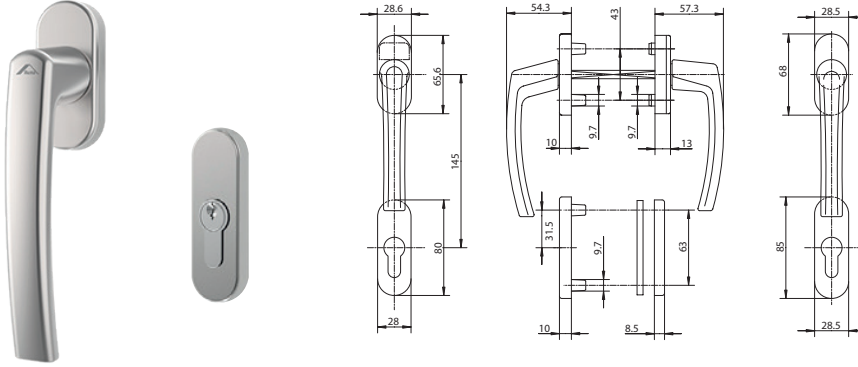
Item Code	Description
F-M5 50ZP	M5 x 50mm CSK
F-M5 60ZP	M5 x 60mm CSK
F-M5 100ZP	M5 x 100mm CSK

Material		Spindle Length	Operation
Aluminium	7mm	30mm	90 deg



ROTOLINE - DOUBLE HANDLE

Double handle tilt and turn or balcony door.



Item Code	Colour
Handle	
599 454	White PC
599 475	Brown PC
599 476	Silver PC
614 443	Black PC
Escutcheon	
570 992	White PC
570 996	Brown PC
570 990	Silver PC
614 441	Black PC

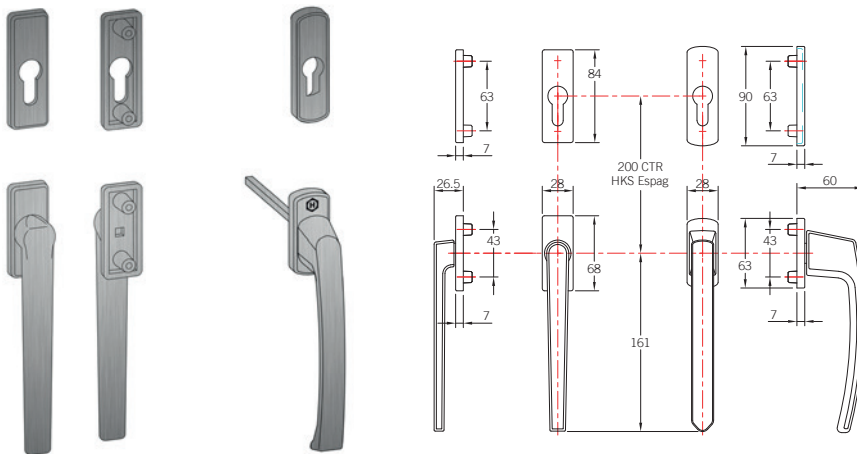
Supplied with screws

Material		Spindle Length	Operation
Aluminium	7mm	126mm	Standard



HKS SERIES

Hautau handle for tilt and slide doors.



External version shown

Internal version shown

Item Code	Colour
Low Profile Handle Set	
163 272	Natural Anodised
163 275	White
Handle Set	
206 224	Natural Anodised
206 227	White

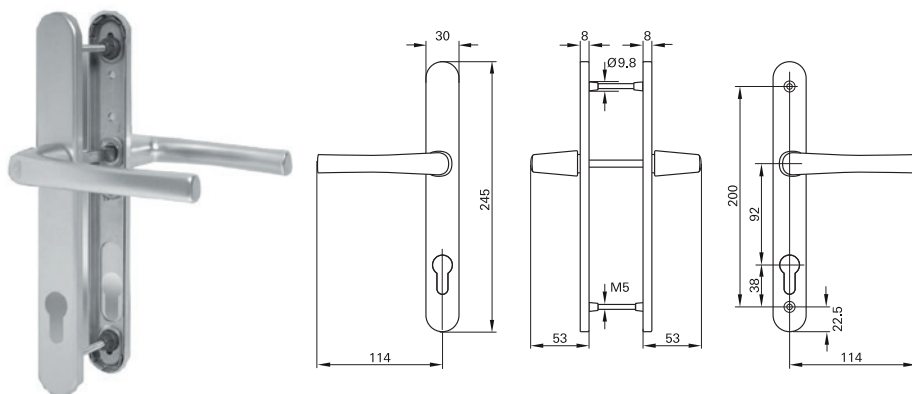
Supplied with screws

Material			Keyhole / Distance
Aluminium	7mm	125mm	Standard



DOOR PLUS

Lever on long plate. Roto aluminium door handle set on long plate with euro cylinder punch out.



Item Code	Colour
333 215	F9 Titan
319 782	F1 Silver
319 954	White
340 318	Cream

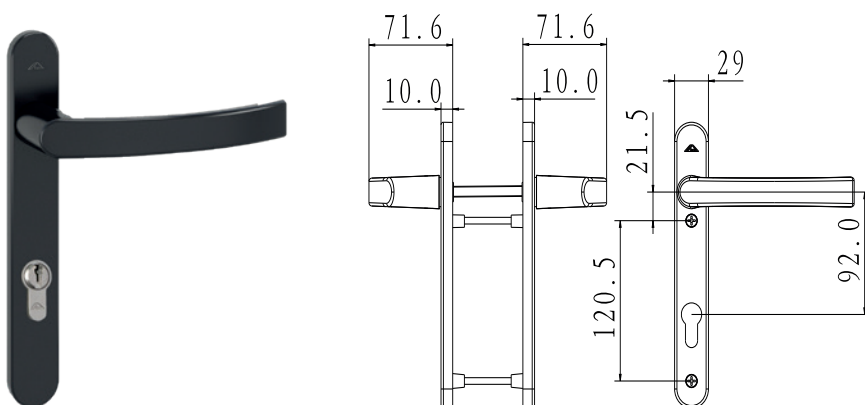
Supplied with screws

Material			Keyhole / Distance
Aluminium	8mm	35-70mm	92mm



ROTOSTARK

Roto Lever on plate with euro cylinder cut out.



Item Code	Colour
857 087	Black
857 086	White
857 088	Silver

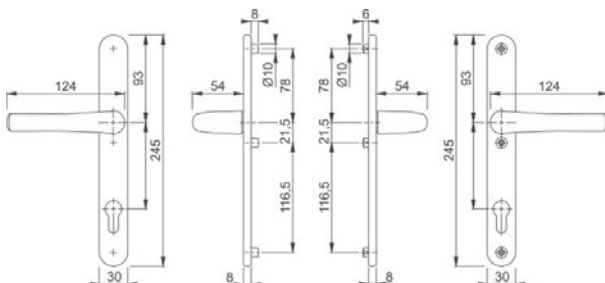
Supplied with screws

Material			Keyhole / Distance
Zinc	8mm	35-70mm	92mm



TOKYO - LEVER ON PLATE

Hoppe Tokyo Lever on long plate with euro cylinder cut out.



Item Code	Colour
TOKED-F1	F1 Silver
TOKED-WH	White
TOKED-BK	Matt Black

Supplied with screws

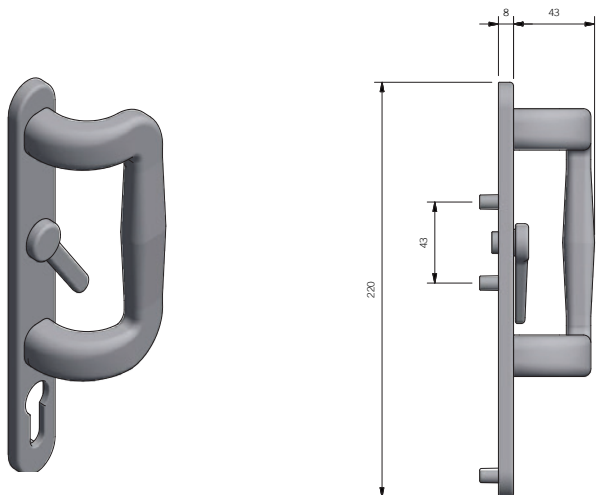
Material			Cylinder Distance
Aluminium	8mm	67-72mm	92mm



RAD2000

Roto D Handle lever on long plate.

Overall protrusion of the Low Profile RAD2000 handle



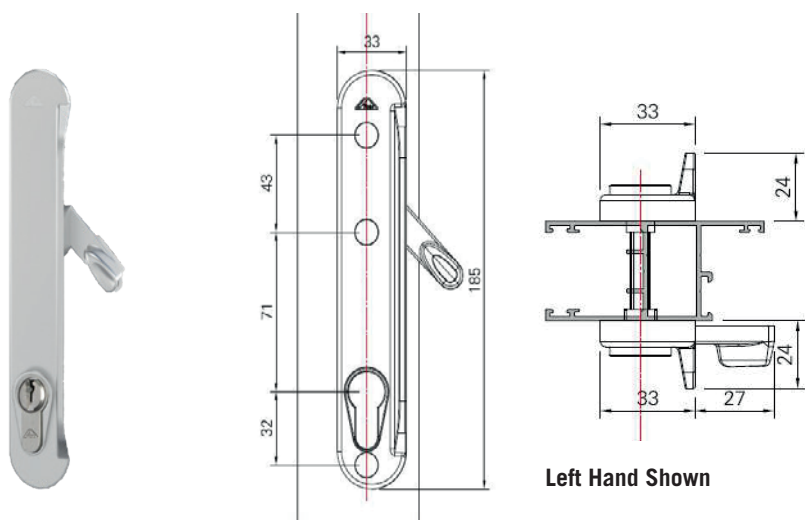
Item Code	Description	Colour
770 011	Int Cyl Lck	White
770 013	Int Cyl Lck	Silver
770 010	Int Cyl Lck	Black
770 007	Ext Cyl Lck	White
770 015	Ext Cyl Lck	Silver
770 006	Ext Cyl Lck	Black
770 009	Int No Lck	White
770 012	Int No Lck	Silver
770 008	Int No Lck	Black
770 005	Ext No Lck	White
770 014	Ext No Lck	Silver
769 984	Ext No Lck	Black
793 279	Screw Set	58-67mm
793 280	Screw Set	48-57mm

Material			Keyhole / Distance
Zinc	7mm	48-57mm / 58-67mm	92mm



ROTO SLIM

Roto low profile handle with euro cylinder cut out.



Item Code	Description	Colour
834 116	LH Cyl Hole	White
834 132	LH Cyl Hole	Silver
834 118	LH Cyl Hole	Black
834 117	RH Cyl Hole	White
834 133	RH Cyl Hole	Silver
834 119	RH Cyl Hole	Black
839 367	Screw Kit	58-62mm

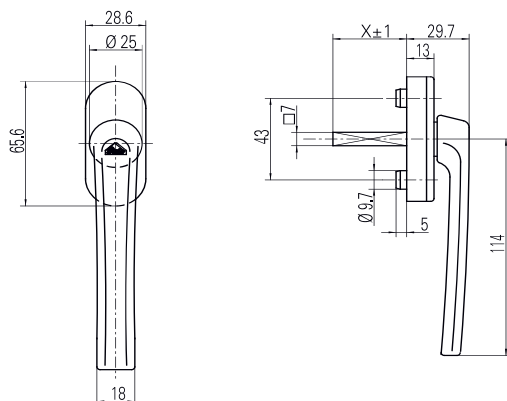
HOW TO DETERMINE THE HANDING: (looking from inside) - if the handle is on the left stile of a panel opening to the right, you require a left hand as shown above.

Material			Keyhole / Distance
Zinc	7mm	58-62mm	92mm



FLAT HANDLE (LOW PROFILE)

Roto Patio 6080 Flat Handle Low Profile



Item Code	Colour
336 110	White
336 112	Silver
819 908	Black

(Screws are available for separate purchase)

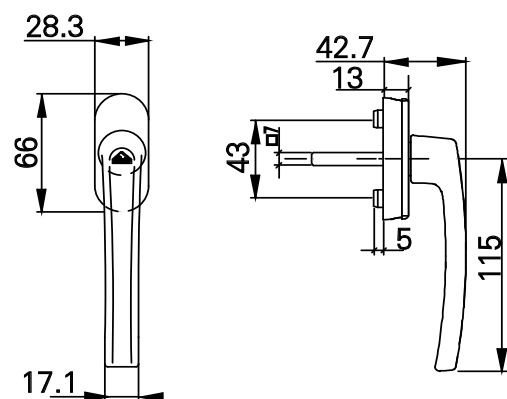
Item Code	Description
F-M5 50ZP	M5 x 50mm CSK
F-M5 60ZP	M5 x 60mm CSK
F-M5 100ZP	M5 x 100mm CSK

Material		Spindle Length	Operation
Aluminium	7mm	35mm	Standard



FLAT HANDLE

Roto Patio 6080 Flat Handle



Item Code	Colour
792 078	White
792 079	Black
792 080	Silver

(Screws are available for separate purchase)

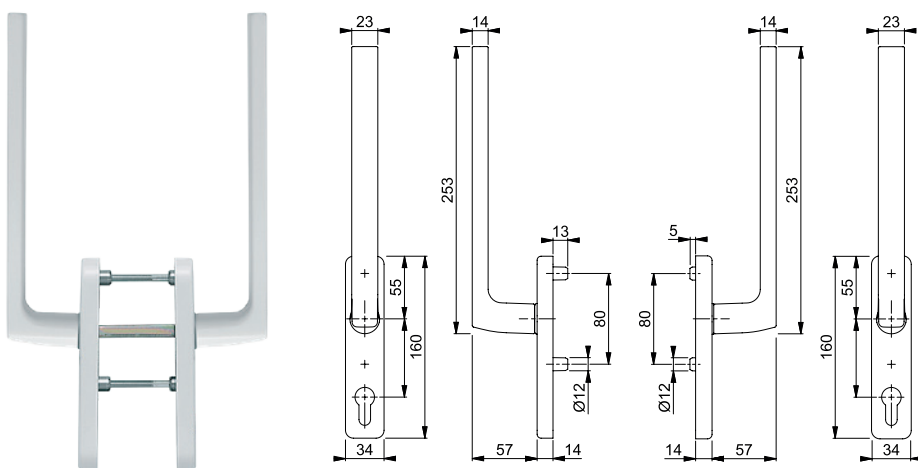
Item Code	Description
F-M5 50ZP	M5 x 50mm CSK
F-M5 60ZP	M5 x 60mm CSK
F-M5 100ZP	M5 x 100mm CSK

Material		Spindle Length	Operation
Aluminium	7mm	30mm	Standard



DALLAS

Hoppe Dallas Lift & Slide Internal and External handle set with euro cylinder cut out.



Item Code	Colour
DAL01LS-BK	Matt Black
DAL01LS-WH	White
DAL01LS-F1	F1 Silver

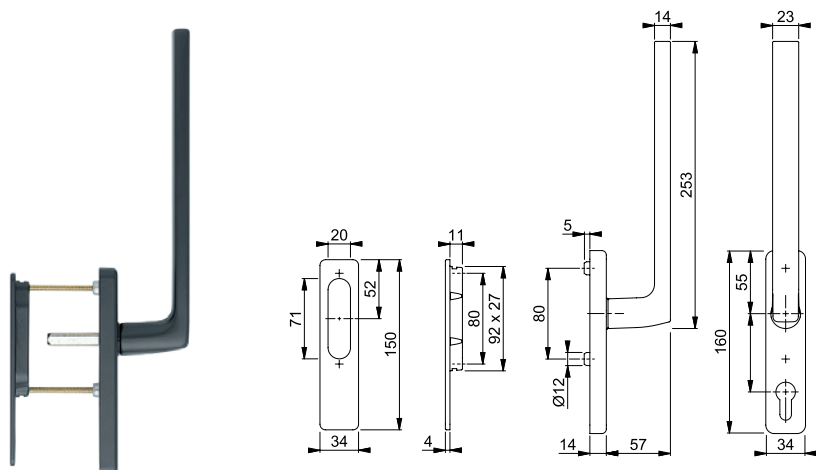
Supplied with screws

Material		Spindle Length	Operation
Aluminium	10mm	73mm	Standard



DALLAS

Hoppe Dallas Lift & Slide Internal and External handle set with External outerpull with euro cylinder cut out.



Item Code	Colour
DAL02LS-BK	Matt Black
DAL02LS-WH	White
DAL02LS-F1	F1 Silver

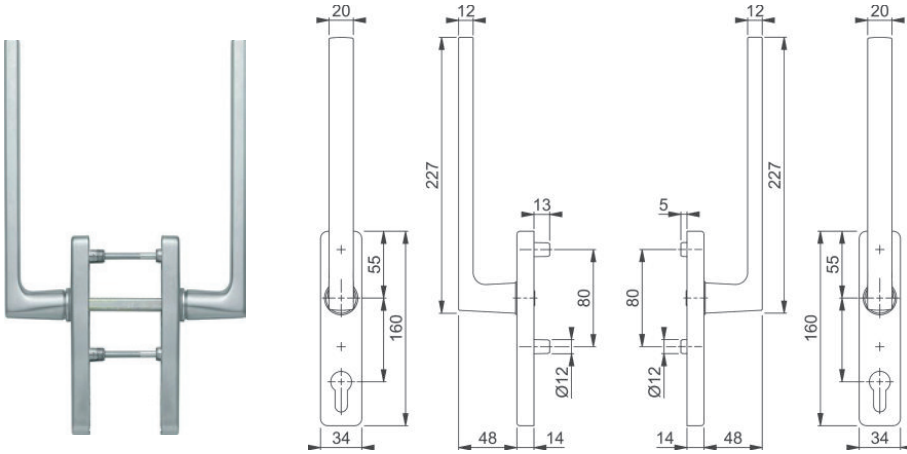
Supplied with screws

Material		Spindle Length	Keyhole / Distance
Aluminium	10mm	73mm	N/A



DALLAS

Hoppe Dallas Lift & Slide Internal and External handle set with euro cylinder cut out.



Item Code	Colour
DAL01LS-BCH	F41 - Brushed Chrome

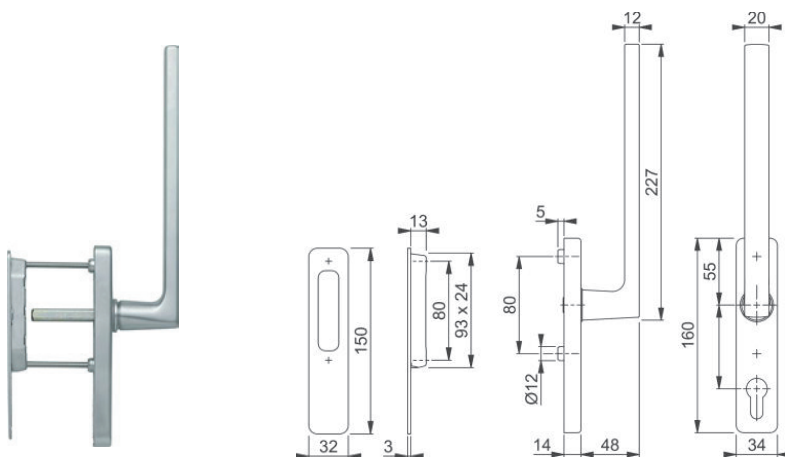
Supplied with screws

Material		Spindle Length	Operation
Brass	10mm	73mm	Standard



DALLAS

Hoppe Dallas Lift & Slide Internal and External handle set with External outerpull with euro cylinder cut out.



Item Code	Colour
DAL02LS-BCH	F41 - Brushed Chrome

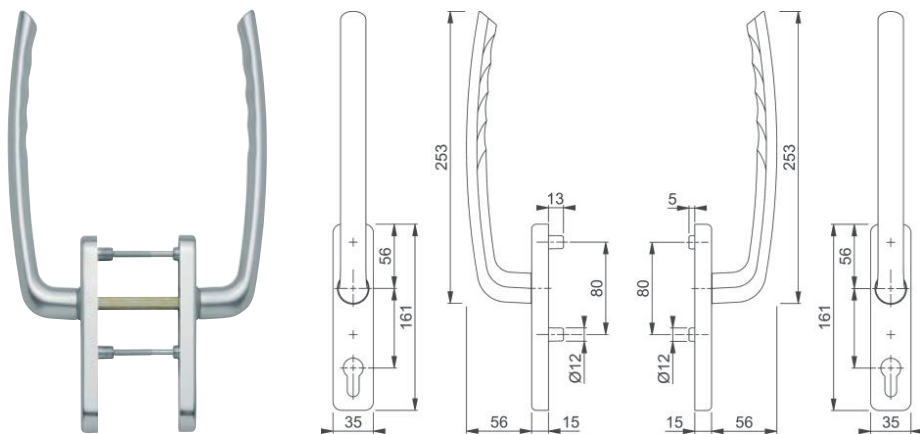
Supplied with screws

Material		Spindle Length	Keyhole / Distance
Brass	10mm	73mm	N/A



TOKYO

Hope Tokyo Lift & Slide Internal and External handle set with euro cylinder cut out.



Item Code	Colour
TOK02LS-BK	Matt Black
TOK02LS-F1	F1 Silver
TOK02LS-WH	White

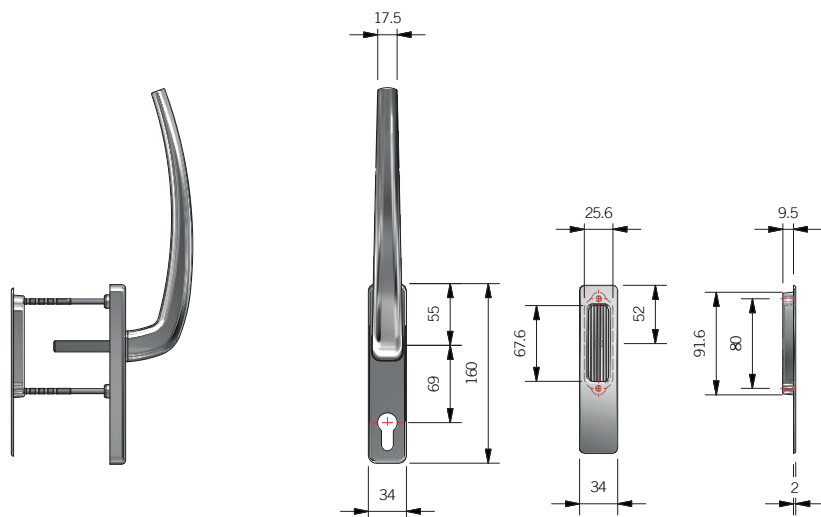
Supplied with screws

Material		Spindle Length	Operation
Aluminium	10mm	73mm	Standard



HS SERIES

Hautau Lift & Slide Internal handle with outerpull cylinder hole.



Item Code	Colour
186 982	White
196 850	Stainless Steel Finish

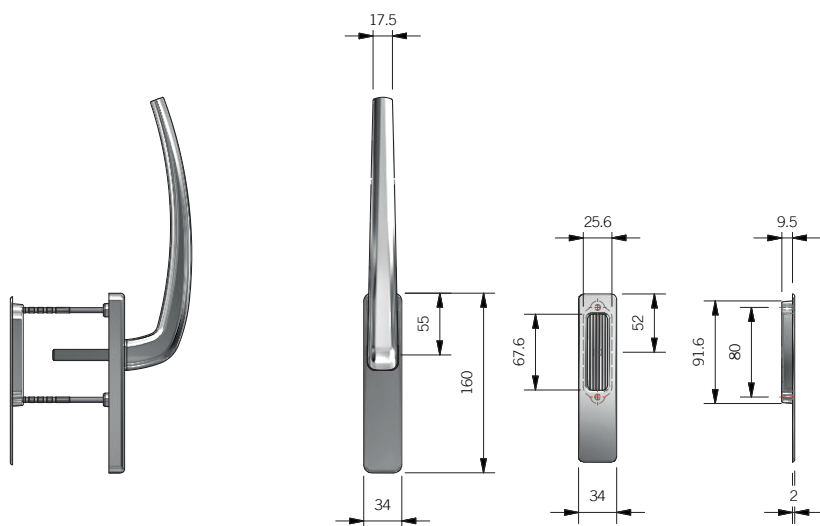
Supplied with Screws

Material		Spindle Length	Operation
Aluminum	7mm	35mm	Standard



HS SERIES

Hautau Lift & Slide Internal handle with outerpull no cylinder hole.



Item Code	Colour
185 170	White
196 841	Stainless Steel Finish

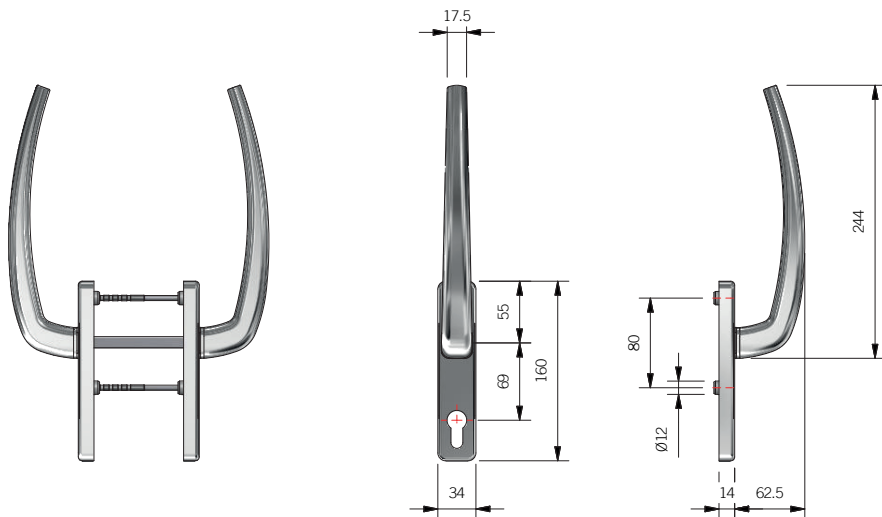
Supplied with Screws

Material			Keyhole / Distance
Brass	8mm	35-70mm	N/A



HS SERIES

Hautau Lift & Slide Internal and External handle set with euro cylinder cut out.



Item Code	Colour
185 179	White
246 251	Natural Anodised
193 621	Black
196 844	Stainless Steel Finish

Supplied with Screws

Material		Spindle Length	Operation
Aluminium	7mm	35mm	Standard





FSA[®]

www.fsa-aus.com.au