

FSA[®]

FENESTRATION
SOLUTIONS
AUSTRALIA

CATALOGUE
DROPBOLTS
centor[®]



MAKING
LIFE
BETTER

WHAT WE STAND FOR

Everyday we live our overarching purpose; to make life better for our team, our customers and to drive our industry forward. To be better than yesterday and committed to a better tomorrow through everything we do.

Ultimately, we inspire architectural innovation and improve homes to create enjoyable and efficient lifestyles. We search the world over to source the most desirable, innovative and superior products available for the Australasian market. Combining stunning aesthetic design, state-of-the-art features, and first-class thermal efficiency, FSA introduces incredibly smart solutions for Australian window & door manufacturers and their customers.

Our experience and research reflects a detailed understanding of local and international markets, technical expertise and a dedication to exceptional customer service and streamlined support. This is exemplified in our extensive portfolio demonstrating our commitment to making life better.



www.fsa-aus.com.au

4	OVERVIEW
8	DH DROPBOLT
11	DF DROPBOLT
14	DL DROPBOLT
17	DO DROPBOLT INWARD OPENING
	DOv DROPBOLT
	DOe DROPBOLT
	DOc DROPBOLT
	DOt DROPBOLT
26	DM DROPBOLT
29	DS DROPBOLT



Centor Dropbolts

Door Dropbolts

DH	square styling, 40mm throw, various lengths, for outward opening bifold doors, french doors and sliding doors
DF	rounded styling, 20mm throw, various lengths, for outward opening bifold doors, french doors and sliding doors
DL	low-profile rounded styling and 20mm throw, for parallel or cavity sliding doors
DO	rounded styling, 20mm throw, various lengths, various offsets, for inward opening bifold doors

Window Dropbolts

DM	narrower rounded styling, 20mm throw and 100mm overall length, for bifold, casement and awning windows
DS	narrower rounded styling, 20mm throw and 300mm overall length, for tall or high reach bifold, sliding, casement and awning
DML	low-profile narrower rounded styling, 20mm throw and 100m overall length for sliding windows

CREATING FASTENING SOLUTIONS

Centor's stylish keyed and non-keyed, flush-mounting dropbolts are the ideal solution for securing or fastening closed folding or sliding windows and doors. Produced to Centor's exacting standards for functionality, aesthetics and longevity, eight distinctive dropbolt ranges are available in lengths, styles and finishes to suit virtually any application.

		DH							DHL	DF							DL									
		C	TG	L	N	PC	G	W	X	X	C	TG	L	N	PC	G	W	X	C	TG	L	N	PC	G	W	X
200	K	•	•				•	•	•	•	•	•	•	•	•	•	•	•	•	•	•	•	•	•	•	•
	NK	•	•				•	•	•		•	•	•	•	•	•	•	•	•	•	•	•	•	•	•	•
400	K	•	•				•	•	•	•	•	•	•	•	•	•	•	•	•	•	•	•	•	•	•	•
	NK	•	•				•	•	•		•	•	•	•	•	•	•	•	•	•	•	•	•	•	•	•
600	K										•	•	•	•	•	•	•	•								•
	NK										•	•	•	•	•	•	•	•								•
1000	K									•								•								
	NK										•	•	•	•	•	•	•	•								

		DOv							DOe							DOc							DOt							
		C	TG	L	N	PC	G	W	X	C	TG	L	N	PC	G	W	X	C	TG	L	N	PC	G	W	X	TG	N	G	W	X
200	K	•	•	•	•	•	•	•	•	•	•	•	•	•	•	•	•	•	•	•	•	•	•	•	•	•	•	•	•	•
	NK	•	•	•	•	•	•	•	•	•	•	•	•	•	•	•	•	•	•	•	•	•	•	•	•	•	•	•	•	•
400	K	•	•	•	•	•	•	•	•	•	•	•	•	•	•	•	•	•	•	•	•	•	•	•	•	•	•	•	•	•
	NK	•	•	•	•	•	•	•	•	•	•	•	•	•	•	•	•	•	•	•	•	•	•	•	•	•	•	•	•	•
600	K	•	•	•	•	•	•	•	•	•	•	•	•	•	•	•	•	•	•	•	•	•	•	•	•	•	•	•	•	•
	NK	•	•	•	•	•	•	•	•	•	•	•	•	•	•	•	•	•	•	•	•	•	•	•	•	•	•	•	•	•
1000	K									•	•	•	•	•	•	•	•													
	NK									•	•	•	•	•	•	•	•													

		DM							DML							DS									
		C	TG	L	N	PC	G	W	X	C	TG	L	N	PC	G	W	X	C	TG	L	N	PC	G	W	X
100	K	•	•	•	•	•	•	•	•	•	•	•	•	•	•	•	•	•	•	•	•	•	•	•	•
	NK	•	•	•	•	•	•	•	•									•	•	•	•	•	•	•	•
300	K									•	•	•	•	•	•	•	•	•	•	•	•	•	•	•	•
	NK																	•	•	•	•	•	•	•	•

- available finishes TG PVD Brass W white powdercoat
- K keyed N natural anodised P custom powdercoat
- NK non keyed L black powdercoat C chrome
- 100 – 1000 length of dropbolt G gold anodised X brushed metallic

*Note that not all available options are stocked at all locations and may be subject to minimal order quantities and extended lead times. Please contact Centor Customer Service for current availability.

ATTRACTIVE AND FUNCTIONAL

Bifold windows and doors, french doors, sliding doors and windows of all descriptions can benefit from the neat flush-mounted appearance and load-tested reassurance of Centor dropbolts. Closed windows and doors are firmly fastened in place with minimum fuss and maximum style.

Quality appearance

Manufactured from aluminium with a solid stainless steel shaft a wide choice of finishes is available in each range allowing the dropbolts to contrast or tone in with the panel material, as well as the option of matching the dropbolts with exposed door or window hardware. Easily installed in timber panels with dedicated router bits, Centor's minimalist dropbolts avoid the untidy look of bolted on fasteners and ensure an appearance of the highest quality is maintained across an entire opening.

Load rated

Impressive wind-load ratings mean Centor dropbolts will anchor windows and doors firmly in place, even in the most extreme weather conditions. All door dropbolt systems are rated to resist a 250 kilogram load when used in Western Red Cedar and 450 kilograms in Amoorra. Window systems are rated to 200 kilograms.

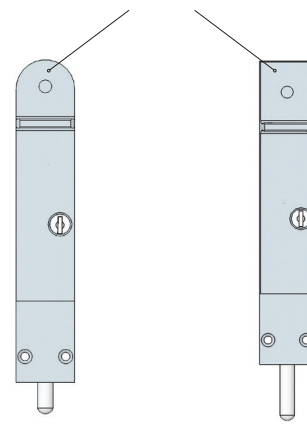
Dropbolts

Centor's stylish, flush-mounting dropbolts are the ideal solution for fastening or securing bifold doors based on the E3 system. Easily installed with a dedicated router bit available from Centor, DF and DO dropbolts are available in a range of lengths and finishes to suit many applications. Available keyed and non-keyed, DF and DO dropbolts can be keyed alike and re-keyed by a locksmith.

Centor DF

Rated to resist the most extreme wind conditions (up to 450kg force in certain timbers) DF dropbolts feature rounded styling and are suited to use with outward opening bifold doors. Available in 200mm, 400mm, 600mm and 1000mm lengths with a 20mm throw they come in natural and gold anodised, chrome, brushed metallic and custom powdercoated finishes. Keyed DF dropbolts feature a unique bifold damage-proofing mechanism which prevents the bolt being operated while the key remains in the lock.

Rounded or square, dropbolt styling caters for all tastes.



Keyed or non-keyed, to suit virtually any application.



Centor DO dropbolt



Centor DF dropbolt

SECURITY AND UTILITY



With bolt throws in lengths from 20mm to 40mm as well as offset throw bolts there's a Centor dropbolt for virtually every application.

Security options

Non-keyed options fasten doors against the elements and provide peace of mind against the casual intruder, while keyed dropbolts offer full 'deadlock' security. Thoughtful dead-bolt design means the bolt can only be released when the key has been removed, preventing damage to doors. Dropbolts are available keyed alike and can be rekeyed to match other household locks by a professional locksmith.

Accessibility

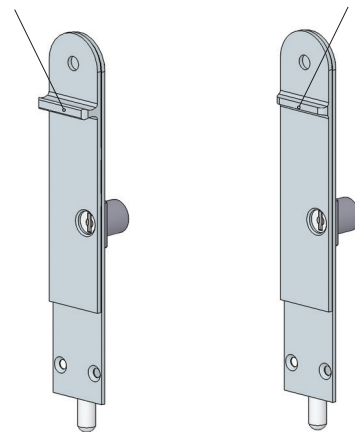
Whether installed at the top or bottom of doors or windows, Centor dropbolts need never be out of reach. With a choice of lengths available across each range, easy operation is assured for every potential user.

Warranty

Like all Centor products, every dropbolt is covered by a ten-year warranty against manufacturing defects.

Standard profile grip for easy dropbolt handling.

Low profile grip solves clearance issues for parallel and cavity-sliding doors.



Suited to outward opening bifold doors, french doors and sliding doors, Centor DH features an extended 40mm throw. DH can be specified in any appropriate application where its distinctive square-edged styling is preferred.

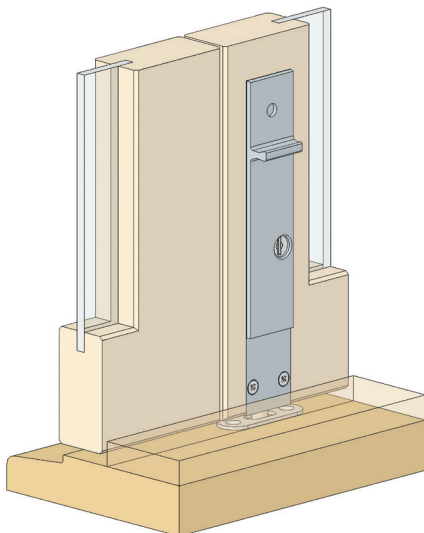
DH dropbolts will resist high winds and are rated to resist a 250kg load in Western Red Cedar and 450kg in Amora. The bolts are easily installed with a dedicated router bit and are available in natural anodised, PVD Brass, chrome and custom powdercoat. The bolts are supplied keyed alike and may be rekeyed by a professional locksmith.

DH Specifications

max wind load	450kg force
min door thickness	35mm
security	keyed, non-keyed
dropbolt lengths	200/400mm
throw length	40mm
finishes	PVD Brass black powdercoat white powdercoat gold anodised brushed metallic

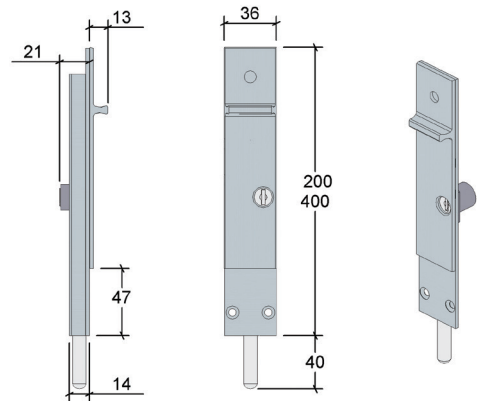


Architectural Detail



Patent granted

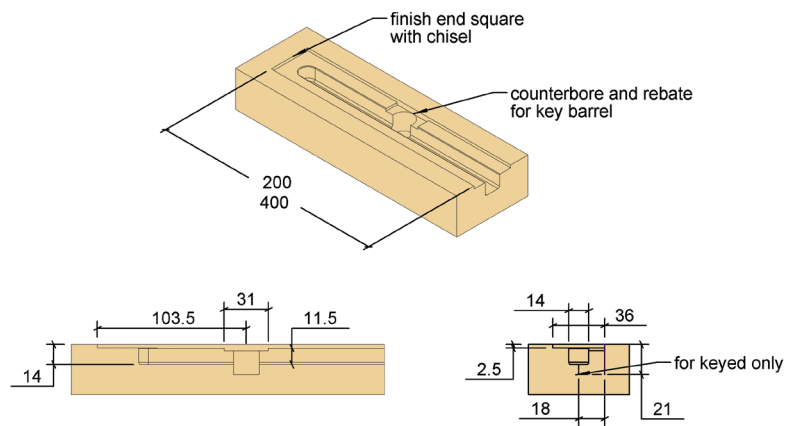
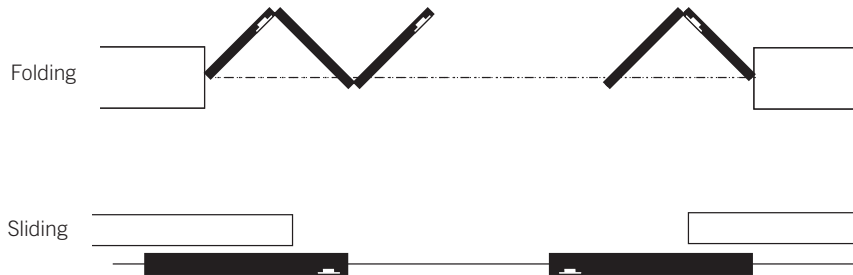
DH dropbolt assembly



HA-001.DXF


Installation

Dropbolts locations in some typical configurations.




HA-002

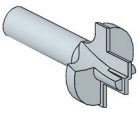
DH / keyed

	DBHA200KSTG DBHA200KSX DBHA200KSL DBHA200KSW DBHA200KSG DBHA400KSTG DBHA400KSX DBHA400KSL DBHA400KSW DBHA400KSG	200mm dropbolt, keyed, PVD Brass 200mm dropbolt, keyed, brushed metallic 200mm dropbolt, keyed, black powdercoat 200mm dropbolt, keyed, white powdercoat 200mm dropbolt, keyed, gold anodised 400mm dropbolt, keyed, PVD Brass 400mm dropbolt, keyed, brushed metallic 400mm dropbolt, keyed, black powdercoat 400mm dropbolt, keyed, white powdercoat 400mm dropbolt, keyed, gold anodised

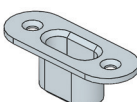
DH / non-keyed

Parts	Product Code	Description
	DBHA200NSTG DBHA200NSX DBHA200NSL DBHA200NSW DBHA200NSG DBHA400NSTG DBHA400NSX DBHA400NSL DBHA400NW DBHA400KNG	200mm dropbolt, non-keyed, PVD Brass 200mm dropbolt, non-keyed, brushed metallic 200mm dropbolt, non-keyed, black powdercoat 200mm dropbolt, non-keyed, white powdercoat 200mm dropbolt, non-keyed, gold anodised 400mm dropbolt, non-keyed, PVD Brass 400mm dropbolt, non-keyed, brushed metallic 400mm dropbolt, non-keyed, black powdercoat 400mm dropbolt, non-keyed, white powdercoat 400mm dropbolt, non-keyed, gold anodised

Router bit

	DBFORB	dedicated router bit for professional installation of Centor DH, DF, DL and DO dropbolts

Cups

Parts	Product Code	Description
	DBCS DBTG	dropbolt cup, stainless steel dropbolt cup, PVD Brass

Suited to outward opening bifold doors, french doors and sliding doors, Centor DF comes with a 20mm throw and rounded styling. An extensive range of lengths (to 1000mm) and finishes are available.

DF dropbolts will resist high winds and is rated to resist a 250kg load in Western Red Cedar and 450kg in Amoora. Centor can provide a test certificate on application. DF features a unique damage-proof mechanism for bifold doors which prevents the bolt being operated if the key is left in the lock. The bolts are easily installed with a dedicated router bit and are available in PVD Brass, brushed metallic, chrome, natural anodised and custom powdercoat finishes. The bolts are available keyed alike and may be rekeyed by a professional locksmith.

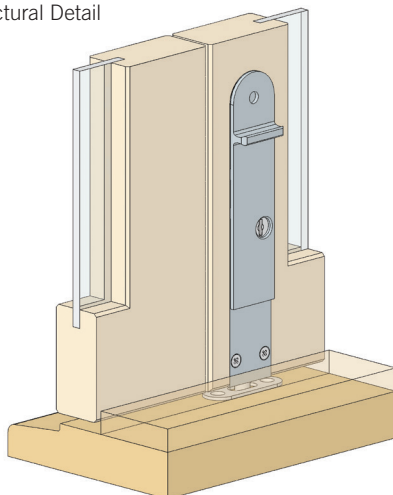
DF Specifications

max wind load	450kg force
min door thickness	35mm
security	keyed, non-keyed
dropbolt lengths	200/400/600/1000mm
throw length	20mm
finishes	PVD Brass natural anodised black powdercoat white powdercoat custom powdercoat* chrome brushed metallic gold anodised

*Custom powdercoat available by special order.

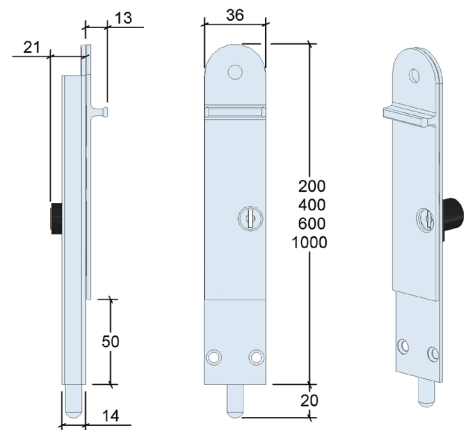


Architectural Detail



Patent granted

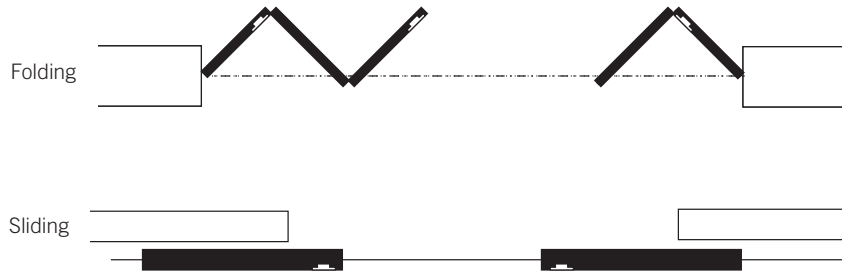
DF dropbolt assembly



FO-001.DXF

Installation

Dropbolts locations in some typical configurations.



DF / keyed

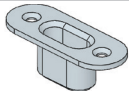
	DBFO200KRTG DBFO200KRN DBFO200KRL DBFO200KRW DBFO200KRPC DBFO200KRC DBFO200KRX DBFO200KRG	200mm dropbolt, keyed, PVD Brass 200mm dropbolt, keyed, natural anodised 200mm dropbolt, keyed, black powdercoat 200mm dropbolt, keyed, white powdercoat 200mm dropbolt, keyed, custom powdercoat 200mm dropbolt, keyed, chrome 200mm dropbolt, keyed, brushed metallic 200mm dropbolt, keyed, gold anodised
	DBFO400KRTG DBFO400KRN DBFO400KRL DBFO400KRW DBFO400KRPC* DBFO400KRC DBFO400KRX DBFO400KRG DBFO600KRTG DBFO600KRN DBFO600KRG	400mm dropbolt, keyed, PVD Brass 400mm dropbolt, keyed, natural anodised 400mm dropbolt, keyed, black powdercoat 400mm dropbolt, keyed, white powdercoat 400mm dropbolt, keyed, custom powdercoat 400mm dropbolt, keyed, chrome 400mm dropbolt, keyed, brushed metallic 400mm dropbolt, keyed, gold anodised 600mm dropbolt, keyed, PVD Brass 600mm dropbolt, keyed, natural anodised 600mm dropbolt, keyed, gold anodised
	DBFO600KRC DBFO600KRX	600mm dropbolt, keyed, chrome 600mm dropbolt, keyed, brushed metallic

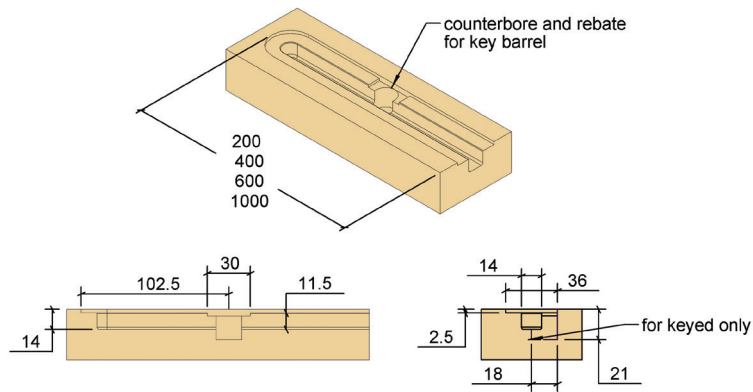
*Custom powdercoat available by special order.

Router bit

Parts	Product Code	Description
	DBFORB	dedicated router bit for professional installation of Centor DH, DF, DL and DO dropbolts

Cups

Parts	Product Code	Description
	DBCS DBCTG	dropbolt cup, stainless steel dropbolt cup, PVD Brass



FO-002

DF / non-keyed

Parts	Product Code	Description
	DBFO200NRTG	200mm dropbolt, non-keyed, PVD Brass
	DBFO200NRN	200mm dropbolt, non-keyed, natural anodised
	DBFO200NRL	200mm dropbolt, non-keyed, black powdercoat
	DBFO200NRW	200mm dropbolt, non-keyed, white powdercoat
	DBFO200NRPC*	200mm dropbolt, non-keyed, custom powdercoat
	DBFO200NRC	200mm dropbolt, non-keyed, chrome
	DBFO200NRX	200mm dropbolt, non-keyed, brushed metallic
	DBFO200NRG	200mm dropbolt, non-keyed, gold anodised
	DBFO400NRTG	400mm dropbolt, non-keyed, PVD Brass
	DBFO400NRN	400mm dropbolt, non-keyed, natural anodised
	DBFO400NRL	400mm dropbolt, non-keyed, black powdercoat
	DBFO400NRW	400mm dropbolt, non-keyed, white powdercoat
	DBFO400NRPC*	400mm dropbolt, non-keyed, custom powdercoat
	DBFO400NRC	400mm dropbolt, non-keyed, chrome
	DBFO400NRX	400mm dropbolt, non-keyed, brushed metallic
	DBFO400NRG	400mm dropbolt, non-keyed, gold anodised
	DBFO600NRTG	600mm dropbolt, non-keyed, PVD Brass
	DBFO600NRN	600mm dropbolt, non-keyed, natural anodised
DBFO600NRL	600mm dropbolt, non-keyed, black powdercoat	
DBFO600NRW	600mm dropbolt, non-keyed, white powdercoat	
DBFO600NRPC*	600mm dropbolt, non-keyed, custom powdercoat	
DBFO600NRC	600mm dropbolt, non-keyed, chrome	
DBFO600NRX	600mm dropbolt, non-keyed, brushed metallic	
DBFO600NRG	600mm dropbolt, non-keyed, gold anodised	
DBFO1000NRN	1000mm dropbolt, non-keyed, natural anodised	
DBFO1000NRL	1000mm dropbolt, non-keyed, black powdercoat	

*Custom powdercoat available by special order.

Designed specifically for use with sliding doors, Centor DL features a low profile hand-grip to ensure clearance in parallel or cavity sliding applications. Rounded styling and a 20mm throw complete the package.

A range of keyed and non-keyed flush-mounting dropbolts with round styled and 20mm throw designed for use with sliding doors. DL will resist high winds and is rated to resist a 250kg load in Western Red Cedar and 450kg in Amooraa. The bolts are easily installed with a dedicated router bit and are available in PVD Brass, brushed metallic, natural anodised, chrome and powdercoat finishes. The bolts are available keyed alike and may be rekeyed by a professional locksmith.

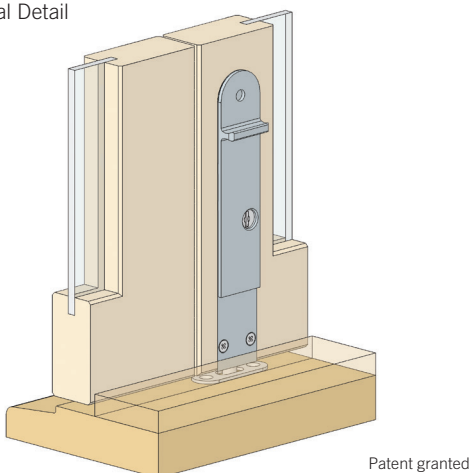
DL Specifications

max wind load	450kg force
min door thickness	35mm
security	keyed, non-keyed
dropbolt lengths	200/400/600/1000mm
throw length	20mm
finishes	PVD Brass natural anodised black powdercoat white powdercoat custom powdercoat* chrome brushed metallic gold anodised

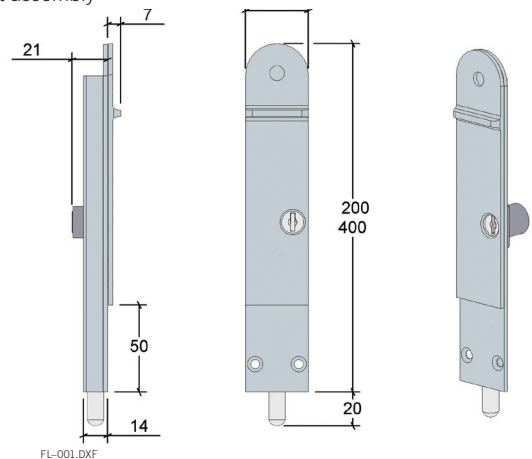
*Custom powdercoat available by special order.



Architectural Detail

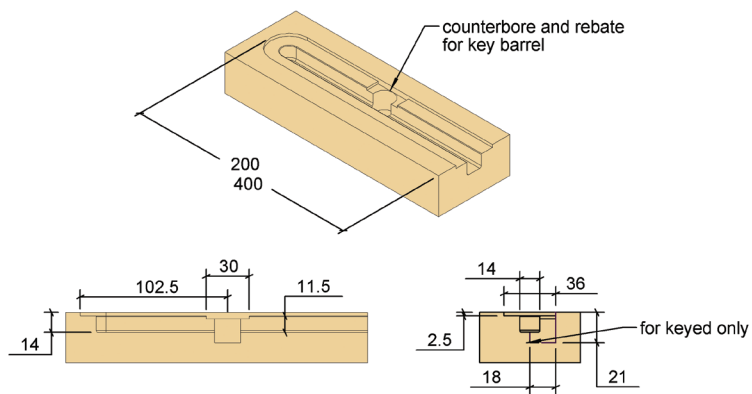


DL dropbolt assembly




Installation

Dropbolts locations in some typical configurations.




FO-002

DL / keyed

Parts	Product Code	Description
	DBFL200KRTG	200mm dropbolt, low profile, keyed, PVD Brass
	DBFL200KRN	200mm dropbolt, low profile, keyed, natural anodised
	DBFL200KRL	200mm dropbolt, low profile, keyed, black powdercoat
	DBFL200KRW	200mm dropbolt, low profile, keyed, white powdercoat
	DBFL200KRPC	200mm dropbolt, low profile, keyed, custom powdercoat
	DBFL200KRC	200mm dropbolt, low profile, keyed, chrome
	DBFL200KRX	200mm dropbolt, low profile, keyed, brushed metallic
	DBFL200KRG	200mm dropbolt, low profile, keyed, gold anodised
	DBFL400KRTG	400mm dropbolt, low profile, keyed, PVD Brass
	DBFL400KRN	400mm dropbolt, low profile, keyed, natural anodised
	DBFL400KRX	400mm dropbolt, low profile, keyed, brushed metallic

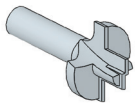
*Custom powdercoat available by special order.

DL / non-keyed

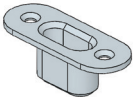
	DBFL200NRTG	200mm dropbolt, low profile, non-keyed, PVD Brass
	DBFL200NRN	200mm dropbolt, low profile, non-keyed, natural anodised
	DBFL200NRL	200mm dropbolt, low profile, non-keyed, black powdercoat
	DBFL200NRW	200mm dropbolt, low profile, non-keyed, white powdercoat
	DBFL200NRPC*	200mm dropbolt, low profile, non-keyed, custom powdercoat
	DBFL200NRC	200mm dropbolt, low profile, non-keyed, chrome
	DBFL200NRX	200mm dropbolt, low profile, non-keyed, brushed metallic
	DBFL200NRG	200mm dropbolt, low profile, non-keyed, gold anodised
	DBFL400NRTG	400mm dropbolt, low profile, non-keyed, PVD Brass
	DBFL400NRN	400mm dropbolt, low profile, non-keyed, natural anodised
	DBFL400NRX	400mm dropbolt, low profile, non-keyed, brushed metallic

*Custom powdercoat available by special order.

Router bit

Parts	Product Code	Description
	DBFORB	dedicated router bit for professional installation of Centor DH, DF, DL and DO dropbolts

Cups

	DBCS DBCTG	dropbolt cup, stainless steel dropbolt cup, PVD Brass
-------------------------------------------------------------------------------------	---------------	----------------------------------------------------------

Designed specifically for use with inward opening bifold and French doors, Centor DO comes into its own wherever an offset bolt is required. It features rounded styling and an extensive range of lengths and finishes.

DO Dropbolt offers all the style and security of the DF but with its offset bolt is designed for inward opening applications such as french doors, entry doors or inward opening bifold doors.

DO Specifications

max wind load	450kg force
min door thickness	35mm (DOv) 45mm (DOe)
security	keyed, non-keyed
dropbolt lengths	200/400/600mm
throw length	20mm (DBOC) 25mm (DBOE, DBOV and DBOT)
finishes	PVD Brass natural anodised black powdercoat white powdercoat custom powdercoat* chrome brushed metallic gold anodised

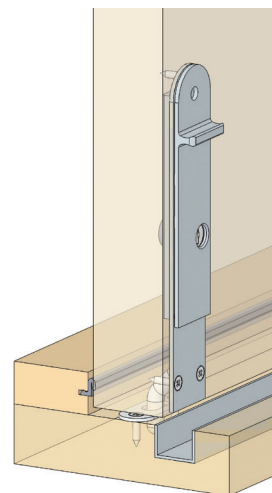
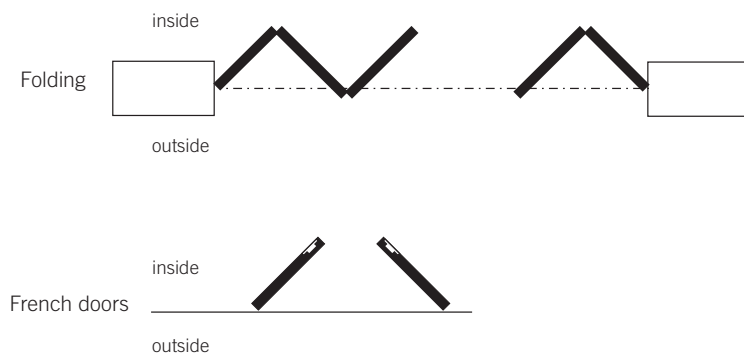
*Custom powdercoat available by special order.



Installation

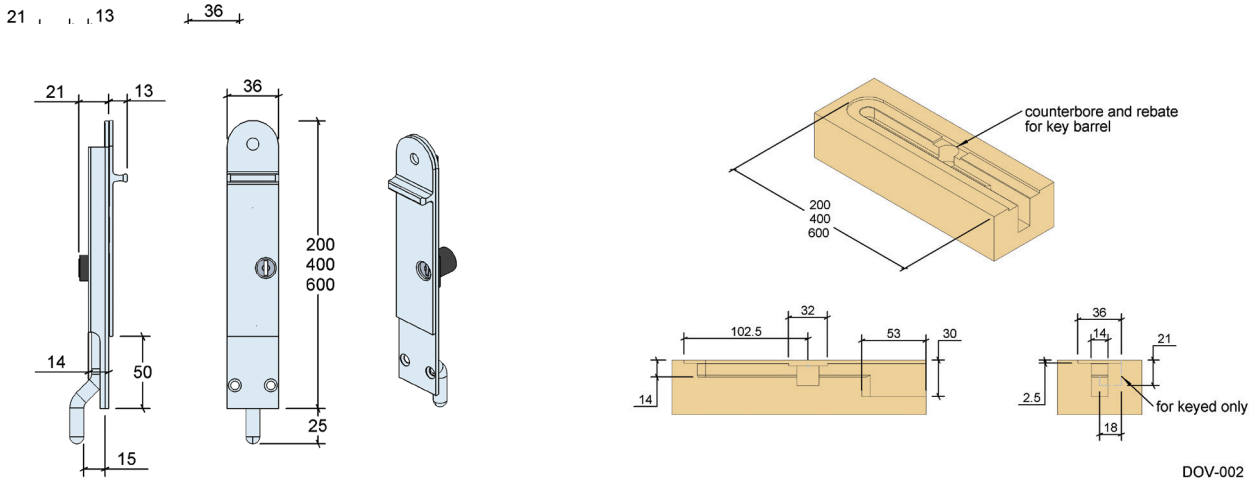
Dropbolts locations in some typical configurations.

Architectural Detail

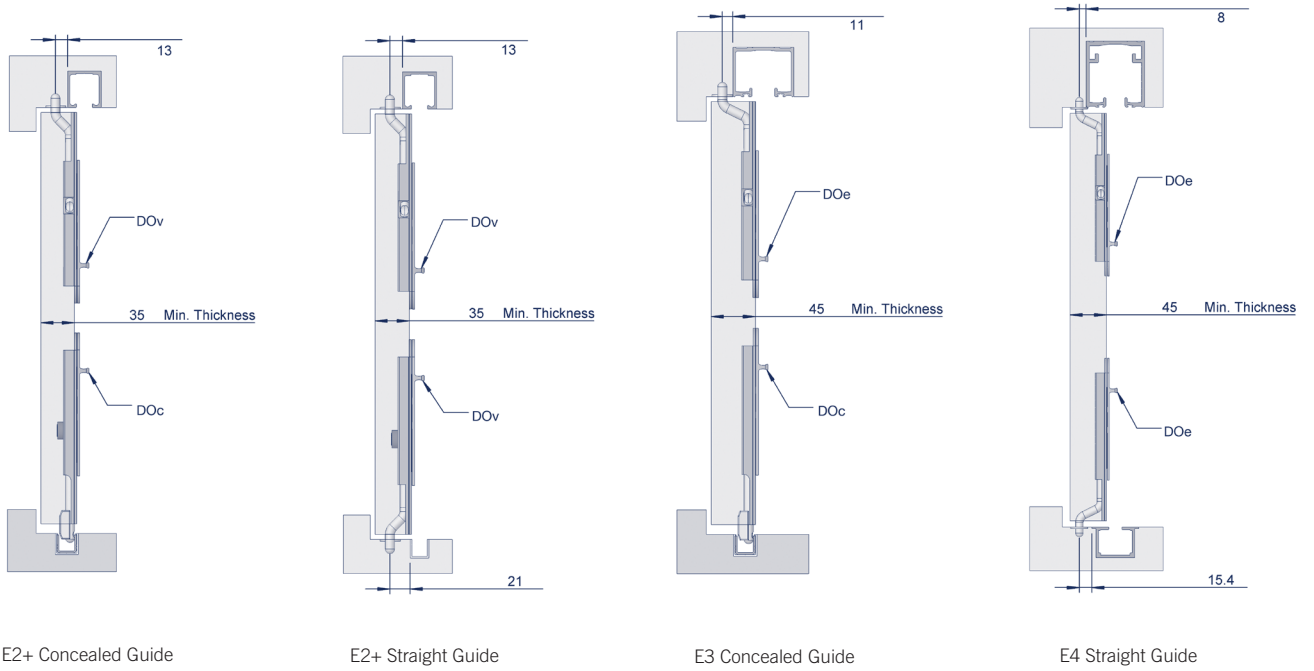


Patent granted


DOv dropbolt assembly



Inward Opening Door Configurations




DOv / keyed

Parts	Product Code	Description
	DBOV200KRTG	200mm dropbolt, keyed, PVD Brass
	DBOV200KRN	200mm dropbolt, keyed, natural anodised
	DBOV200KRL	200mm dropbolt, keyed, black powdercoat
	DBOV200KRW	200mm dropbolt, keyed, white powdercoat
	DBOV200KRPC*	200mm dropbolt, keyed, custom powdercoat
	DBOV200KRC	200mm dropbolt, keyed, chrome
	DBOV200KRX	200mm dropbolt, keyed, brushed metallic
	DBOV200KRG	200mm dropbolt, keyed, gold anodised
	DBOV400KRTG	400mm dropbolt, keyed, PVD Brass
	DBOV400KRN	400mm dropbolt, keyed, natural anodised
	DBOV400KRG	400mm dropbolt, keyed, gold anodised
	DBOV400KRC	400mm dropbolt, keyed, chrome
	DBOV400KRX	400mm dropbolt, keyed, brushed metallic
	DBOV600KRX	600mm dropbolt, keyed, brushed metallic

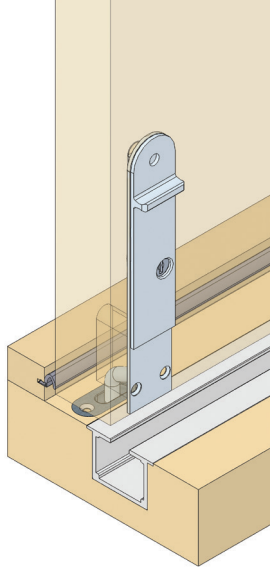
*Custom powdercoat available by special order.

DOv / non-keyed

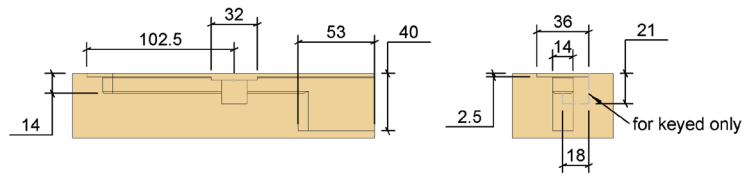
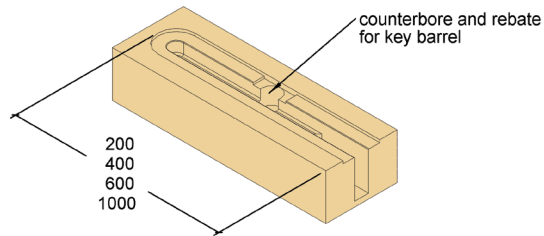
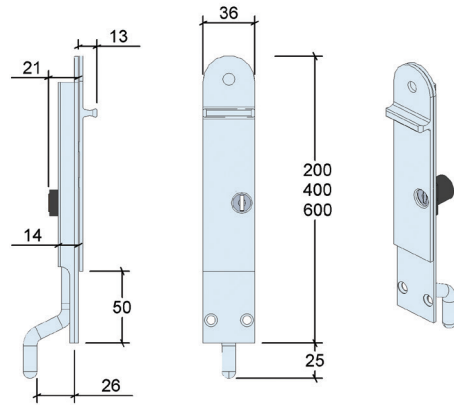
Parts	Product Code	Description
	DBOV200NRTG	200mm dropbolt, non-keyed, PVD Brass
	DBOV200NRN	200mm dropbolt, non-keyed, natural anodised
	DBOV200NRL	200mm dropbolt, non-keyed, black powdercoat
	DBOV200NRW	200mm dropbolt, non-keyed, white powdercoat
	DBOV200NRPC*	200mm dropbolt, non-keyed, custom powdercoat
	DBOV200NRC	200mm dropbolt, non-keyed, chrome
	DBOV200NRX	200mm dropbolt, non-keyed, brushed metallic
	DBOV200NRG	200mm dropbolt, non-keyed, gold anodised
	DBOV400NRTG	400mm dropbolt, non-keyed, PVD Brass
	DBOV400NRN	400mm dropbolt, non-keyed, natural anodised
	DBOV400NRL	400mm dropbolt, non-keyed, black powdercoat
	DBOV400NRW	400mm dropbolt, non-keyed, white powdercoat
	DBOV400NRPC*	400mm dropbolt, non-keyed, custom powdercoat
	DBOV400NRC	400mm dropbolt, non-keyed, chrome
	DBOV400NRX	400mm dropbolt, non-keyed, brushed metallic
	DBOV400NRG	400mm dropbolt, non-keyed, gold anodised
	DBOV600NRTG	600mm dropbolt, non-keyed, PVD Brass
	DBOV600NRN	600mm dropbolt, non-keyed, natural anodised
	DBOV600NRL	600mm dropbolt, non-keyed, black powdercoat
	DBOV600NRW	600mm dropbolt, non-keyed, white powdercoat
	DBOV600NRPC*	600mm dropbolt, non-keyed, custom powdercoat
DBOV600NRX	600mm dropbolt, non-keyed, brushed metallic	
DBOV600NRG	600mm dropbolt, non-keyed, gold anodised	

*Custom powdercoat available by special order.

DOe dropbolt assembly

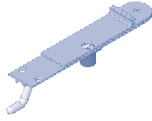


Patent granted

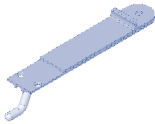


DOE -002

DOe / keyed

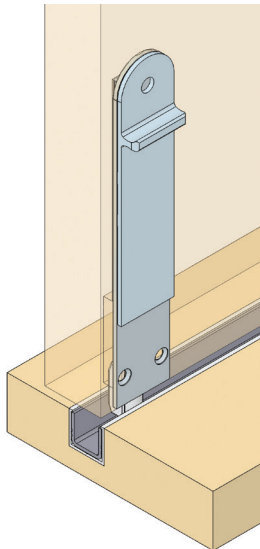
Parts	Product Code	Description
	DBOE200KRTG	200mm dropbolt, keyed, PVD Brass
	DBOE200KRX	200mm dropbolt, keyed, brushed metallic
	DBOE200KRG	200mm dropbolt, keyed, gold anodised
	DBOE400KRTG	400mm dropbolt, keyed, PVD Brass
	DBOE400KRX	400mm dropbolt, keyed, brushed metallic
	DBOE400KRG	400mm dropbolt, keyed, gold anodised
	DBOE600KRTG	600mm dropbolt, keyed, PVD Brass
	DBOE600KRX	600mm dropbolt, keyed, brushed metallic
	DBOE600KRG	600mm dropbolt, keyed, gold anodised

DOe / non-keyed

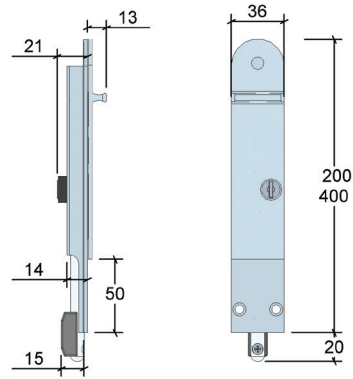
Parts	Product Code	Description
	DBOE200NRTG	200mm dropbolt, non-keyed, PVD Brass
	DBOE200NRX	200mm dropbolt, non-keyed, brushed metallic
	DBOE200NRG	200mm dropbolt, non-keyed, gold anodised
	DBOE400NRTG	400mm dropbolt, non-keyed, PVD Brass
	DBOE400NRX	400mm dropbolt, non-keyed, brushed metallic
	DBOE400NRG	400mm dropbolt, non-keyed, gold anodised
	DBOE600NRTG	600mm dropbolt, non-keyed, PVD Brass
	DBOE600NRX	600mm dropbolt, non-keyed, brushed metallic
	DBOE600NRG	600mm dropbolt, non-keyed, gold anodised

Architectural Detail

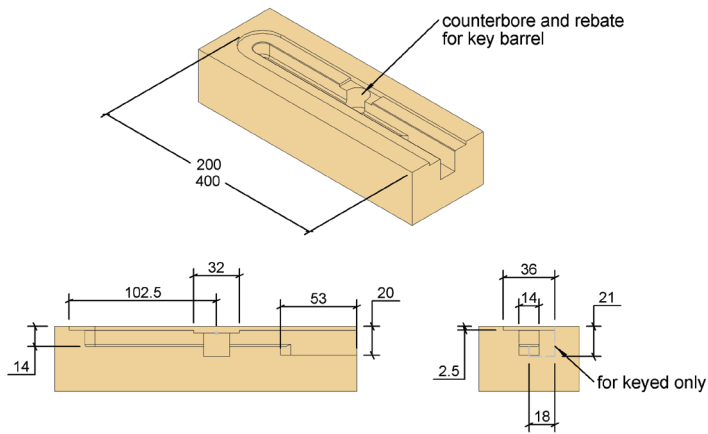
DOC dropbolt assembly



Patent granted

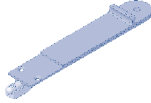


DOC-001.DXF



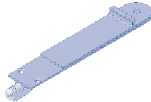
DOC-002

DOc / keyed

Parts	Product Code	Description
	DBOC200KRTG	200mm dropbolt, concealed, keyed, PVD Brass
	DBOC200KRN	200mm dropbolt, concealed, keyed, natural anodised
	DBOC200KRL	200mm dropbolt, concealed, keyed, black powdercoat
	DBOC200KRW	200mm dropbolt, concealed, keyed, white powdercoat
	DBOC200KRPC*	200mm dropbolt, concealed, keyed, custom powdercoat
	DBOC200KRC	200mm dropbolt, concealed, keyed, chrome
	DBOC200KRX	200mm dropbolt, concealed, keyed, brushed metallic
	DBOC200KRG	200mm dropbolt, concealed, keyed, gold anodised

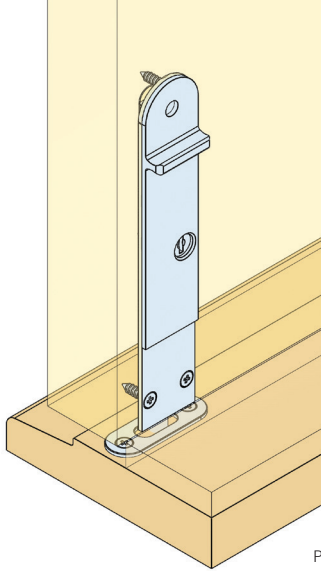
*Custom powdercoat available by special order.

DOc / non-keyed

	DBOC200NRTG	200mm dropbolt, concealed, non-keyed, PVD Brass
	DBOC200NRN	200mm dropbolt, concealed, non-keyed, natural anodised
	DBOC200NRL	200mm dropbolt, concealed, non-keyed, black powdercoat
	DBOC200NRW	200mm dropbolt, concealed, non-keyed, white powdercoat
	DBOC200NRPC*	200mm dropbolt, concealed, non-keyed, custom powdercoat
	DBOC200NRC	200mm dropbolt, concealed, non-keyed, chrome
	DBOC200NFX	200mm dropbolt, concealed, non-keyed, brushed metallic
	DBOC200NRG	400mm dropbolt, concealed, non-keyed, gold anodised
	DBOC400NRTG	400mm dropbolt, concealed, non-keyed, PVD Brass
	DBOC400NRX	400mm dropbolt, concealed, non-keyed, brushed metallic

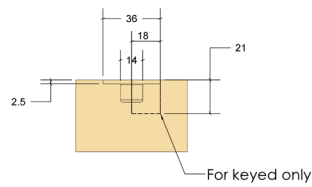
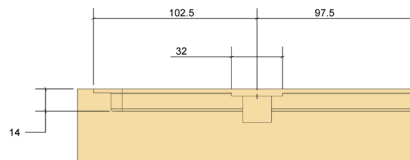
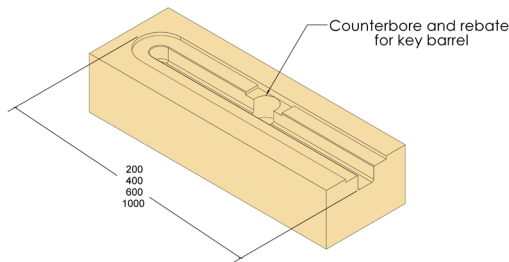
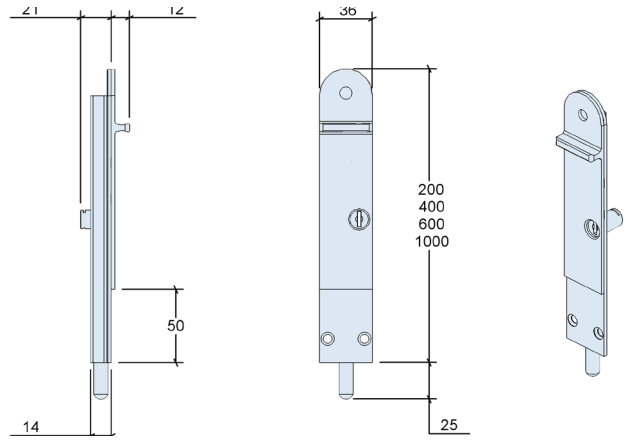
*Custom powdercoat available by special order.

Architectural Detail




Patent granted

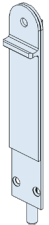
DOT dropbolt assembly



DOt / keyed

	DBOT200KRTG DBOT200KRX	200mm dropbolt, keyed, PVD Brass 200mm dropbolt, keyed, brushed metallic
	DBOT400KRTG DBOT400KRN DBOT400KRX	400mm dropbolt, keyed, PVD Brass 400mm dropbolt, keyed, natural anodised 400mm dropbolt, keyed, brushed metallic
	DBOT600KRTG DBOT600KRN	600mm dropbolt, keyed, PVD Brass 600mm dropbolt, keyed, natural anodised

DOt / non-keyed

Parts	Product Code	Description
	DBOT200NRTG DBOT200NRX	200mm dropbolt, non-keyed, PVD Brass 200mm dropbolt, non-keyed, brushed metallic
	DBOT400NRN DBOT400NRX	400mm dropbolt, non-keyed, natural anodised 400mm dropbolt, non-keyed, brushed metallic
	DBOT600NRTG DBOT600NRN	600mm dropbolt, non-keyed, PVD Brass 600mm dropbolt, non-keyed, natural anodised

Half the length (100mm) of the smallest door dropbolt system and correspondingly narrow, Centor DM is designed to flush-mount into window frames with minimal visual impact.

DM Dropbolt is suitable for locking casement, awning, sliding and bifold windows. At 100mm long, it is half the size of the DM bolt and is designed to flush-mount into the window frame with minimal visual impact. DM can be supplied keyed alike to your DF or DH locks and can be re-keyed to other window locks in the house by any professional locksmith.

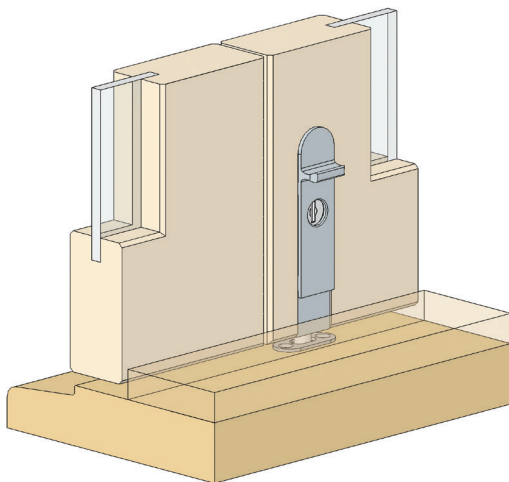
DM Specifications

max wind load	200kg force
min door thickness	35mm
security	keyed
dropbolt lengths	100mm
throw length	20mm
finishes	PVD Brass natural anodised black powdercoat white powdercoat custom powdercoat* chrome brushed metallic gold anodised

*Custom powdercoat available by special order.

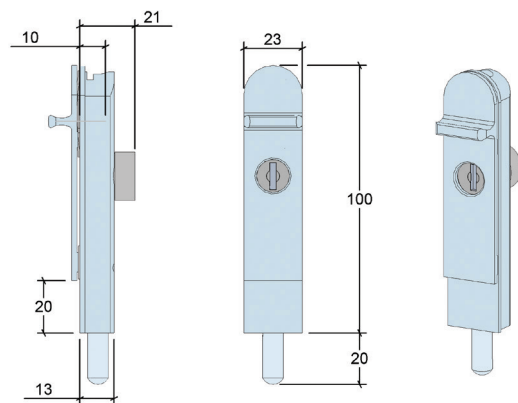


Architectural Detail



Patent granted

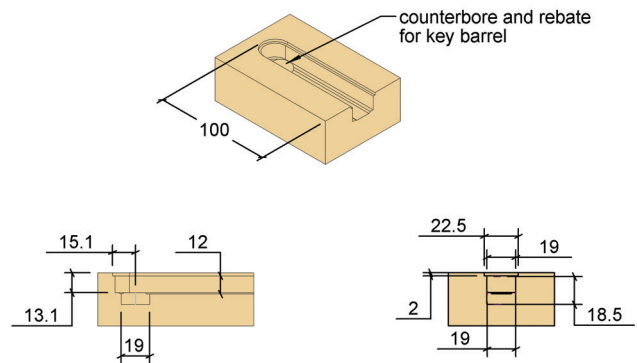
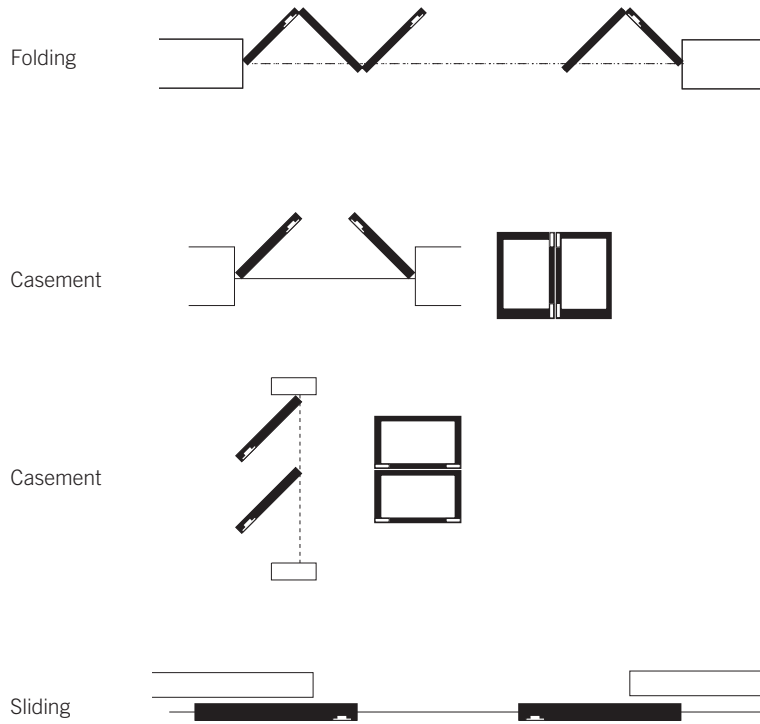
DM dropbolt assembly



MI-001.DXF


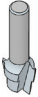

Installation

Dropbolts locations in some typical configurations.




MI-002

DM / keyed

	DBMI100KRTG DBMI100KRN DBMI100KRL DBMI100KRW DBMI100KRPC* DBMI100KRC DBMI100KRX DBMI100KRG	100mm dropbolt, keyed, PVD Brass 100mm dropbolt, keyed, natural anodised 100mm dropbolt, keyed, black powdercoat 100mm dropbolt, keyed, white powdercoat 100mm dropbolt, keyed, custom powdercoat 100mm dropbolt, keyed, chrome 100mm dropbolt, keyed, brushed metallic 100mm dropbolt, keyed, gold anodised
	DBML100KRX DBML100KRG DBML100KRTG DBML100KRL DBML100KRX	100mm dropbolt, low-profile, keyed, brushed metallic 100mm dropbolt, low profile, keyed, gold anodised 100mm dropbolt, low-profile, keyed, PVD Brass 100mm dropbolt, low profile, keyed, black powder coat 100mm dropbolt, low-profile, keyed, brushed metallic
	DBMIRB	router bit
	DBMICL	moulded plastic cup

*Custom powdercoat available by special order.

DM / non-keyed

Parts	Product Code	Description
	DBMI100NRG DBMI100NRTG DBMI100NRN DBMI100NRL DBMI100NRW DBMI100NRPC* DBMI100NRC DBMI100NRX	100mm dropbolt, non-keyed, gold anodised 100mm dropbolt, non-keyed, PVD Brass 100mm dropbolt, non-keyed, natural anodised 100mm dropbolt, non-keyed, black powder coat 100mm dropbolt, non-keyed, white powder coat 100mm dropbolt, non-keyed, custom powder coat 100mm dropbolt, non-keyed, chrome 100mm dropbolt, non-keyed, brushed metallic

*Custom powdercoat available by special order.

Only 36mm in width, Centor DS is the ideal dropbolt for tall timber windows with narrow framing. The extended 300mm barrel means the hand-grip is within reach whether placed at the top of tall windows or behind furniture.

The 300mm length of the DS Dropbolt makes it an ideal bolt to install in tall windows, or in windows where furniture such as benches restrict accessibility. The slim profile of the DS makes it ideal for timber windows with narrow framing. The cylinder can be re-keyed to other window locks in the house by a professional locksmith.

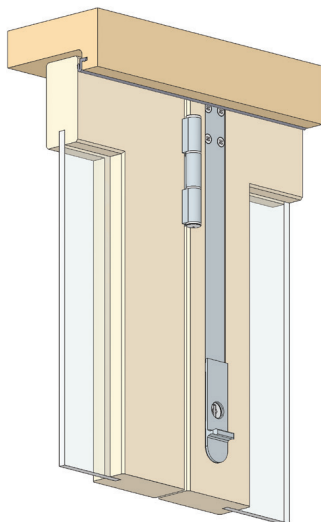
DS Specifications

max wind load	200kg force
min door thickness	35mm
security	keyed
dropbolt lengths	300mm
throw length	20mm
finishes	PVD Brass natural anodised black powdercoat white powdercoat custom powdercoat* chrome brushed metallic gold anodised

*Custom powdercoat available by special order.

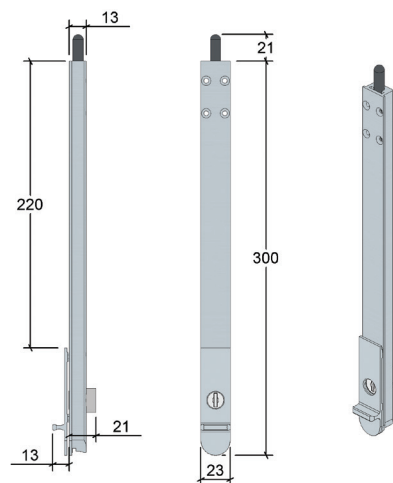


Architectural Detail



Patent granted

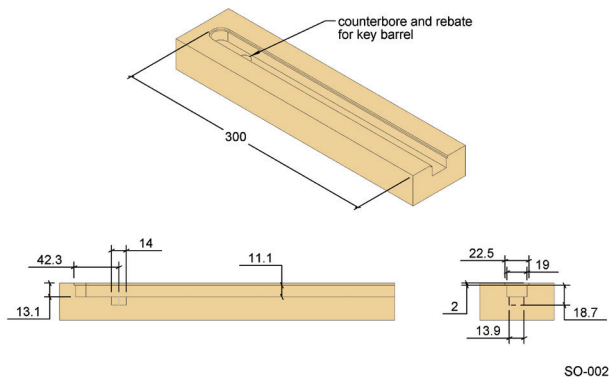
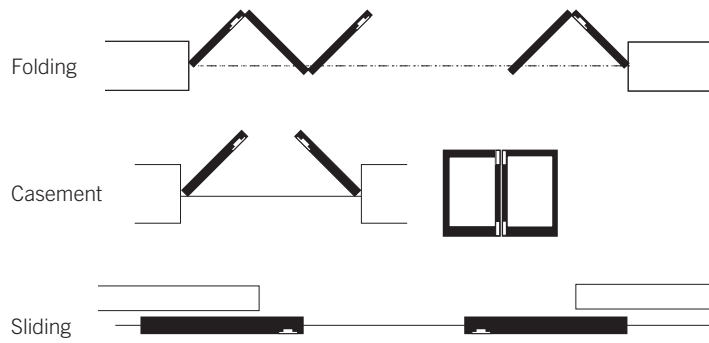
DS dropbolt assembly



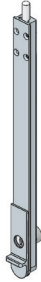
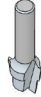

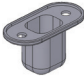
SO-001.DXF

Installation

Dropbolts locations in some typical configurations.

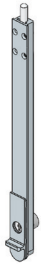


DS / keyed

Parts	Product Code	Description
	DBSO300KRTG	300mm dropbolt, keyed, PVD Brass
	DBSO300KRN	300mm dropbolt, keyed, natural anodised
	DBSO300KRL	300mm dropbolt, keyed, black powdercoat
	DBSO300KRW	300mm dropbolt, keyed, white powdercoat
	DBSO300KRPC*	300mm dropbolt, keyed, custom powdercoat
	DBSO300KRC	300mm dropbolt, keyed, chrome
	DBSO300KRX	300mm dropbolt, keyed, brushed metallic
	DBSO300KRG	300mm dropbolt, keyed, gold anodised
	DBSL300KRTG	300mm dropbolt, low-profile, keyed, PVD Brass
	DBSL300KRX	300mm dropbolt, low-profile, keyed, brushed metallic
	DBSL300KRG	300mm dropbolt, keyed, gold anodised
	DBMIRB	router bit
	DBMICL	moulded plastic cup

*Custom powdercoat available by special order.

DS / non-keyed

	DBSO300NRG	300mm dropbolt, non-keyed, gold anodised
	DBSO300NRTG	300mm dropbolt, non-keyed, PVD Brass
	DBSO300NRN	300mm dropbolt, non-keyed, natural anodised
	DBSO300NRL	300mm dropbolt, non-keyed, black powder coat
	DBSO300NRW	300mm dropbolt, non-keyed, white powder coat
	DBSO300NRPC*	300mm dropbolt, non-keyed, custom powder coat
	DBSO300NRC	300mm dropbolt, non-keyed, chrome
	DBSO300NRX	300mm dropbolt, non-keyed, brushed metallic

*Custom powdercoat available by special order.



www.fsa-aus.com.au