



**FSA**<sup>®</sup>

FENESTRATION  
SOLUTIONS  
AUSTRALIA

CATALOGUE  
EURO HANDLE SERIES  
FOR WINDOWS AND DOORS

**HOPPE**<sup>®</sup>





MAKING  
LIFE  
BETTER

## WHAT WE STAND FOR

Everyday we live our overarching purpose; to make life better for our team, our customers and to drive our industry forward. To be better than yesterday and committed to a better tomorrow through everything we do.

Ultimately, we inspire architectural innovation and improve homes to create enjoyable and efficient lifestyles. We search the world over to source the most desirable, innovative and superior products available for the Australasian market. Combining stunning aesthetic design, state-of-the-art features, and first-class thermal efficiency, FSA introduces incredibly smart solutions for Australian window & door manufacturers and their customers.

Our experience and research reflects a detailed understanding of local and international markets, technical expertise and a dedication to exceptional customer service and streamlined support. This is exemplified in our extensive portfolio demonstrating our commitment to making life better.



[www.fsa-us.com.au](http://www.fsa-us.com.au)

4	TOULON SERIES
	<b>Tilt &amp; Turn Handles</b>
	<b>Flat Window Handle</b>
	<b>Tilt &amp; Slide</b>
	<b>Balcony Door</b>
	<b>Door Handles</b>
	<b>Lift &amp; Slide</b>
	<b>Fixing Kits</b>
13	DALLAS BRASS SERIES
	<b>Tilt &amp; Turn Handles</b>
	<b>Tilt &amp; Slide</b>
	<b>Door Handles</b>
	<b>Lift &amp; Slide</b>
	<b>Fixing Kits</b>
19	PULL HANDLES
	<b>Dallas Brass Straight</b>
	<b>Stainless Rectangle</b>
	<b>Stainless Round</b>
	<b>Stainless D</b>
	<b>Bow Shape</b>
	<b>Escutcheons</b>
	<b>Fixing Kits</b>
25	GLOSSARY
26	COLOUR CHART

**TILT & TURN**

**Tilt & Turn Window Handle**

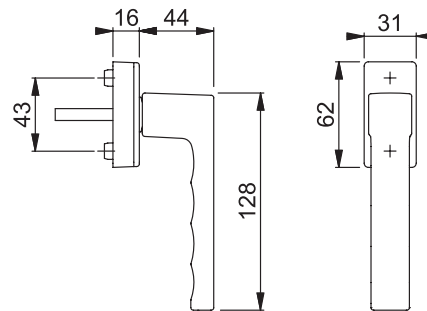


- Solid 7mm spindle with 10mm Adjustment – VarioFit®
- Concealed Fixing M5 thread screws

Material		Spindle Length	Side	UOM	Colour	Item Code
Aluminium	7mm	32-42mm	Internal	Each	Matt Black	TOU-TT MBK
				Each	Steel	TOU-TT STL
				Each	Traffic White	TOU-TT WHT

(other colours available upon request – MOQ's and lead times apply)

duraplus®



Secustik®  
VarioFit®

**TILT & TURN  
LOCKING**

**Tilt & Turn Window Handle KEY LOCKING**

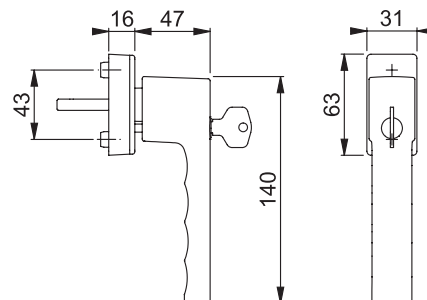


- 100Nm Security Resistance
- Solid 7mm spindle with 10mm Adjustment – VarioFit®
- Concealed Fixing M5 thread screws

Material		Spindle Length	Length	UOM	Colour	Item Code
Aluminium	7mm	32-42mm	Internal	Each	Matt Black	TOU-TTL MBK
				Each	Steel	TOU-TTL STL
				Each	Traffic White	TOU-TTL WHT

(other colours available upon request – MOQ's and lead times apply)

duraplus®



Secu100®  
Secustik®  
VarioFit®

**TILT BEFORE TURN (TBT)**

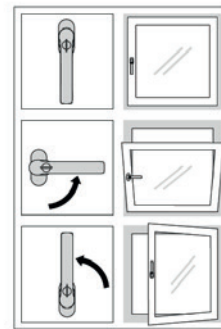
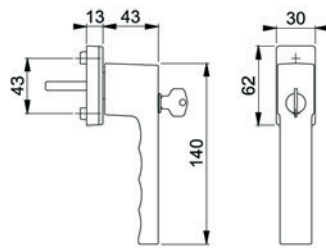


**Tilt & Turn Window Handle TILT BEFORE TURN**

- Solid 7mm spindle.
- Concealed Fixing M5 thread screws.
- TBT functionality via key

Material		Spindle Length	Side	UOM	Colour	Item Code
Aluminium	7mm	40mm	Internal	Each	Matt Black	TOU-TBT MBK
				Each	Steel	TOU-TBT STL
				Each	Traffic White	TOU-TBT WHT

(other colours available upon request – MOQ's and lead times apply)



**TBT operation**

duraplus®

SecuTBT®  
VarioFit®

**TILT & TURN KOMPAKT**

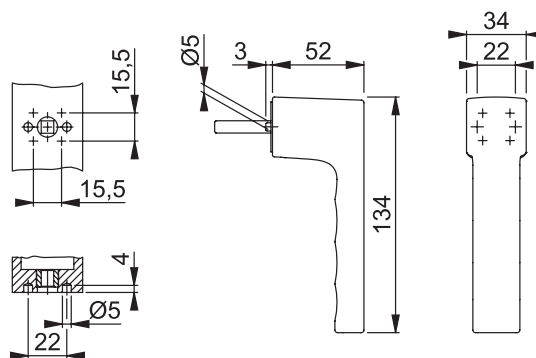


**Tilt and Turn Window Handle KOMPAKT**

- Solid 7mm spindle
- Concealed Rosette for minimalist aesthetic
- Hoppe QuickFit® handle connection
- Concealed Fixing with multipurpose screws

Material		Spindle Length	Side	UOM	Colour	Item Code
Aluminium	7mm	37mm	Internal	Each	Matt Black	TOU-KTT MBK
				Each	Steel	TOU-KTT STL
				Each	Traffic White	TOU-KTT WHT

(other colours available upon request – MOQ's and lead times apply)



duraplus®

Secustik®  
Quick-Fit®

**FLAT WINDOW HANDLE**

**Flat Window Handle**

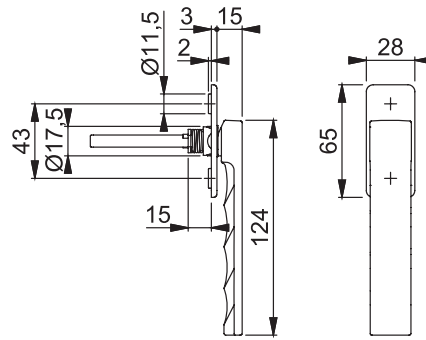


- Solid spindle 7mm
- Concealed Fixing M5 thread screws.

Material		Spindle Length	Side	UOM	Colour	Item Code
Aluminium	7mm	37mm	Internal	Each	Matt Black	TOU-FW MBK
				Each	Steel	TOU-FW STL
				Each	Traffic White	TOU-FW WHT

(other colours available upon request – MOQ's and lead times apply)

duraplus®



**TILT & SLIDE**

**Tilt and Slide PSK Patio Handle**

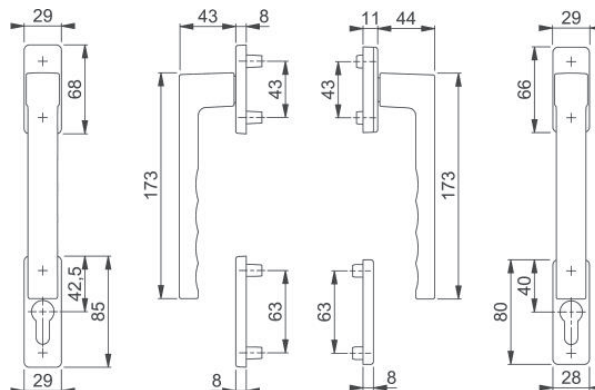


- Solid 7mm spindle
- Concealed Fixing M5 thread screws
- Rectangular Euro Cyl Escutcheon

Material			Side	UOM	Colour	Code
Aluminium	7mm	Refer Fixing Kits	Internal	Each	Matt Black	TOU-TS1 MBK
				Each	Steel	TOU-TS1 STL
				Each	Traffic White	TOU-TS1 WHT
			External	Each	Matt Black	TOU-TS2 MBK
				Each	Steel	TOU-TS2 STL
				Each	Traffic White	TOU-TS2 WHT

(other colours available upon request – MOQ's and lead times apply)

duraplus®



**TILT & TURN**  
BALCONY INTERNAL



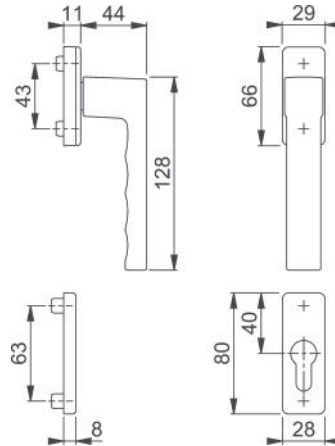
duraplus®

**Tilt & Turn Window Handle Balcony Set Internal**

- Solid spindle 7mm
- Concealed through Fixing M5 thread screws
- Standard Inner Handle
- Includes cylinder escutcheon

Material			Side	UOM	Colour	Item Code
Aluminium	7mm	Refer Fixing Kits	Internal	Each	Matt Black	TOU-BCY1 MBK
				Each	Steel	TOU-BCY1 STL
				Each	Traffic White	TOU-BCY1 WHT

(other colours available upon request – MOQ's and lead times apply)



**TILT & TURN**  
BALCONY EXTERNAL



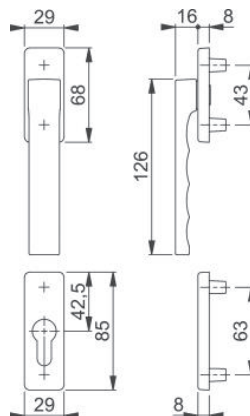
duraplus®

**Tilt & Turn Window Handle Balcony Set External**

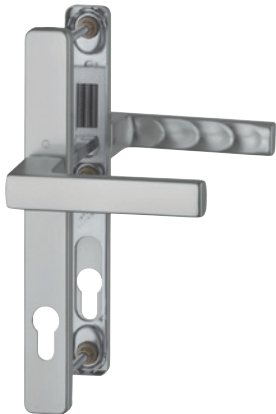
- Solid spindle 7mm
- Concealed through Fixing M5 thread screws
- Flat Outer Handle
- Includes cylinder escutcheon

Material			Colour	UOM	Item Code
Aluminium	7mm	Refer Fixing Kits	Matt Black	Each	TOU-BCY3 MBK
			Steel	Each	TOU-BCY3 STL
			Traffic White	Each	TOU-BCY3 WHT

(other colours available upon request – MOQ's and lead times apply)



**ENTRY DOOR  
ON PLATE**



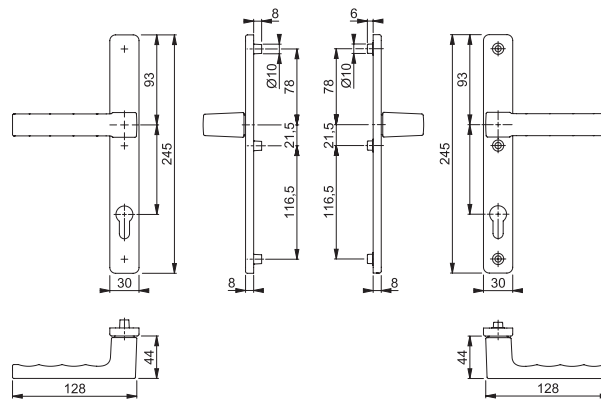
**Door Handle on Narrow Backplate**

- Spring assisted Lever operation
- Solid spindle 8mm
- Through Fixing M6 thread screws
- Screw cover caps
- Euro Profile – 92mm Centre

Material			Side	UOM	Colour	Code
Aluminium	8mm	Refer Fixing Kits	Internal	Each	Matt Black	TOU-PT1 MBK
				Each	Steel	TOU-PT1 STL
				Each	Traffic White	TOU-PT1 WHT
			External	Each	Matt Black	TOU-PT2 MBK
				Each	Steel	TOU-PT2 STL
				Each	Traffic White	TOU-PT2 WHT

(other colours available upon request – MOQ's and lead times apply)

duraplus®



**ENTRY DOOR  
ON ROSE**



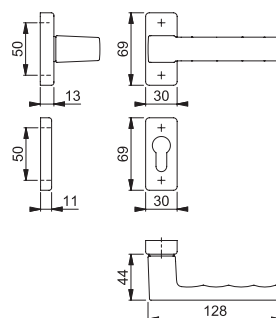
**Door Handle on Rectangular Rose**

- Spring assisted Lever operation.
- Solid spindle 8mm – QuickFit®
- Concealed through Fixing M6 thread screws.
- Rectangular Narrow Rose & Cyl Escutcheon
- Euro Profile

Material			Side	UOM	Colour	Code
Aluminium	8mm	Refer Fixing Kits	Internal	Each	Matt Black	TOU-R01 MBK
				Each	Steel	TOU-R01 STL
				Each	Traffic White	TOU-R01 WHT
			External	Each	Matt Black	TOU-R01 MBK
				Each	Steel	TOU-R01 STL
				Each	Traffic White	TOU-R01 WHT

(other colours available upon request – MOQ's and lead times apply)

duraplus®



Quick-Fit



**HINGED DOOR  
ON MINI ROSE**

**Door Handle on Mini Rose**

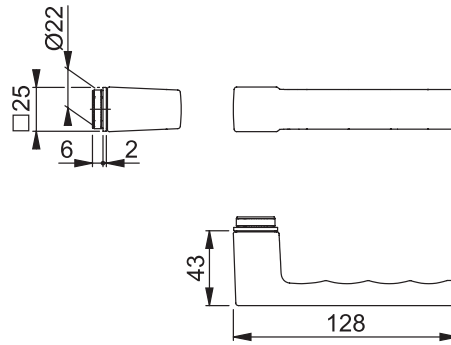
- Loose Handles with maintenance free slide bearing
- Solid spindle 8mm – QuickFit®
- Plug-in Mini Rose Rose
- Non-Screw Fixing



Material			Side	UOM	Colour	Code
Aluminium	8mm	Refer Fixing Kits	Internal	Each	Matt Black	TOU-MR1 MBK
				Each	Steel	TOU-MR1 STL
				Each	Traffic White	TOU-MR1 WHT
			External	Each	Matt Black	TOU-MR1 MBK
				Each	Steel	TOU-MR1 STL
				Each	Traffic White	TOU-MR1 WHT

(other colours available upon request – MOQ's and lead times apply)

duraplus®



Quick-Fit®

**MINI ESCUTCHEONS**

**Mini Escutcheon for Euro Cylinders**

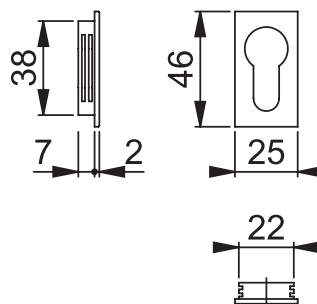
- Plug in Fixing with adhesive or silicone
- Non screw fixing



Material	Cylinder		Side	UOM	Colour	Item Code
Aluminium	Euro	N/A	Internal / External	Set	Matt Black	646-ME MBK
				Set	Steel	646-ME STL
				Set	Traffic White	646-ME WHT

(other colours available upon request – MOQ's and lead times apply)

duraplus®



**LIFT & SLIDE**

**Lift & Slide Patio Door Handle**

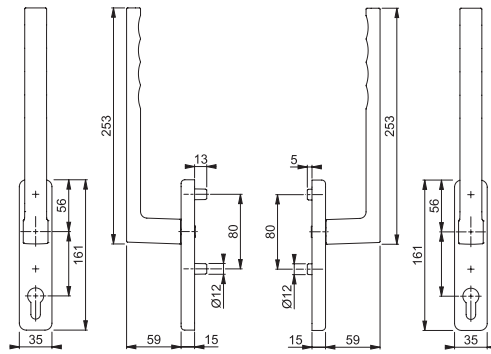
- Zamak Base with Bearing
- Concealed through Fixing M6 thread screws
- Solid spindle radiused edges - 10mm



Material			Side	UOM	Colour	Code
Aluminium	10mm	Refer Fixing Kits	Internal	Each	Matt Black	TOU-LS1 MBK
				Each	Steel	TOU-LS1 STL
				Each	Traffic White	TOU-LS1 WHT
			External	Each	Matt Black	TOU-LS2 MBK
				Each	Steel	TOU-LS2 STL
				Each	Traffic White	TOU-LS2 WHT

(other colours available upon request – MOQ's and lead times apply)

**duraplus®**



**LIFT & SLIDE  
OUTERPULL**

**Lift & Slide Patio Door Outerpull**

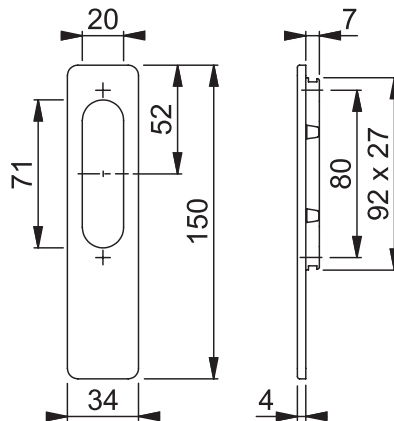
- Concealed through Fixing M6 thread screws



Material			Side	UOM	Colour	Code
Aluminium	8mm	Refer Fixing Kits	External	Each	Matt Black	TOU-LS3 MBK
				Each	Steel	TOU-LS3 STL
				Each	Traffic White	TOU-LS3 WHT

(other colours available upon request – MOQ's and lead times apply)

**duraplus®**

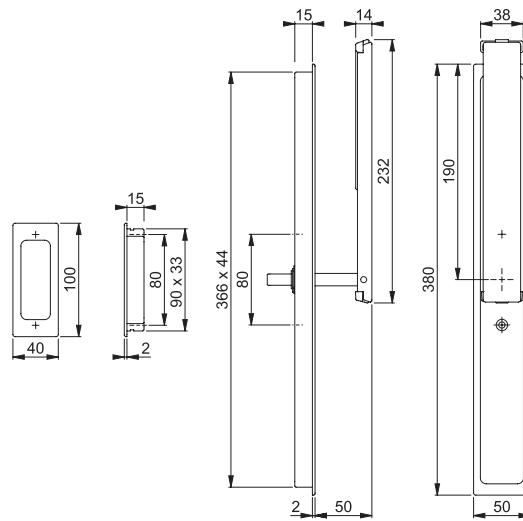


**LIFT & SLIDE  
FLUSH HANDLE**
**Lift & Slide Patio Flush Handle**

- Zamak Base with Bearing
- Concealed through Fixing M6 thread screws
- Solid spindle radiused edges - 10mm
- Special feature: the set must be recessed into the profile

Material			Side	UOM	Colour	Code
Aluminium	10mm	57mm	Internal / External	Each	Matt Black	AUS-LS13 MBK
				Each	Steel	AUS-LS13 STL

(other colours available upon request – MOQ's and lead times apply)


**LIFT & SLIDE  
FIXING**
**Lift & Slide Fixing**

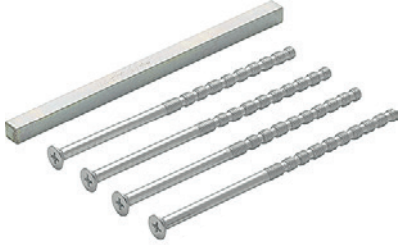
- Fixing Kits M6 for Lift & Slide door sets


Description	Spindle Length		UOM	Colour	Code
Fixing Kits for Lift & Slide DBL Handle inc: 1 x 10mm Spindle   2 x M6 Screws	118mm	65-70mm	Set	N/A	LSFIX-6570
	123mm	70-75mm	Set		LSFIX-7075
	128mm	75-80mm	Set		LSFIX-7580
	133mm	80-85mm	Set		LSFIX-8085
	138mm	85-90mm	Set		LSFIX-8590



Description	Spindle Length		UOM	Colour	Code
Spindle for Lift & Slide 1 x 10mm Spindle	73mm	75-80mm	Each	N/A	LSSPDL-7580
	83mm	85-90mm	Each		LSSPDL-8085
Screw Set for Lift & Slide 2 x M6 Screws	85-90mm	65-70mm	Set		LSSCRW-7580
	90-95mm	70-75mm	Set		LSSCRW-8085


**TILT & SLIDE  
&  
TILT & TURN  
BALCONY**



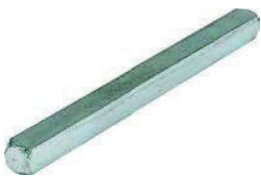
Description	Spindle Length		UOM	Colour	Code
Fixing Kits for Balcony Door Handles inc: 1 x 7mm Spindle   4 x M5 Screws	110mm	63-73mm	Each	N/A	BCYFIX-6373
	120mm	73-83mm	Each	N/A	BCYFIX-7383


**ENTRY DOOR  
ON PLATE**



Description	Spindle Length		UOM	Colour	Code
Fixing Kits for Lever on Plate Door Handles inc: 1 x 8mm Spindle   3 x M6 Screws and Screw Cover Caps	135mm	67-72mm	Set	N/A	FIX-8/67-72


**ENTRY DOOR  
ON ROSE**



Description	Spindle Length		UOM	Colour	Code
Fixing Kits for Lever on STD & Mini Rose Door Handles inc: 1 x 8mm Spindle	155mm	67-72mm	Each	N/A	SPL-8/155

**LIFT & SLIDE  
FIXING**



Material	Length		UOM	Colour	Code
Spindle for Lift & Slide 1 x 10mm Spindle	73mm	75-80mm	Each	N/A	LSSPDL-7580
	83mm	85-90mm	Each		LSSPDL-8085
Screw Set for Lift & Slide 2 x M6 Screws	85-90mm	65-70mm	Each		LSSCRW-7580
	90-95mm	70-75mm	Each		LSSCRW-8085




TILT & TURN

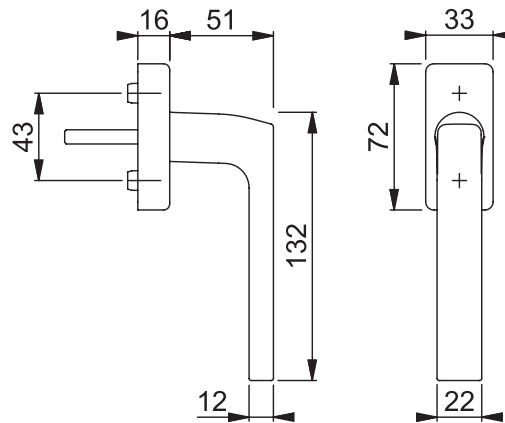
Tilt and Turn Window Handle

- Solid 7mm spindle with 10mm Adjustment – VarioFit®
- Concealed Fixing M5 thread screws.



Material		Spindle Length	Side	UOM	Colour	Code
Brass	7mm	32-42mm	Internal	Each	Satin Black Res	DALB-TT SBK
				Each	Satin Copper	DALB-TT SCO
				Each	Light Satin Brass	DALB-TT LSB
				Each	Satin Nickel	DALB-TT SNK

(other colours available upon request – MOQ's and lead times apply)



duraplus®

Secustik®

VarioFit®


Resista®

TILT & SLIDE

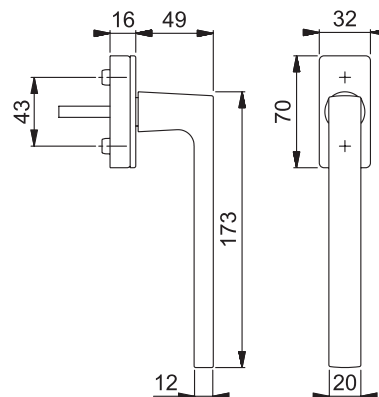
Tilt and Slide PSK Patio Handle

- Solid 7mm spindle with 10mm Adjustment – VarioFit®
- Concealed Fixing M5 thread screws.



Material		Spindle Length	Side	UOM	Colour	Code
Brass	7mm	32-42mm	Internal	Each	Satin Black Res	DALB-TS1 SBK
				Each	Satin Copper	DALB-TS1 SCO
				Each	Light Satin Brass	DALB-TS1 LSB
				Each	Satin Nickel	DALB-TS1 SNK

(other colours available upon request – MOQ's and lead times apply)



duraplus®

Secustik®

VarioFit®

Resista®

**HINGED DOOR  
ON ROSE**

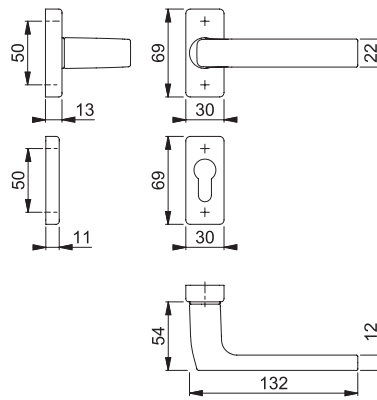


**Brass Door Handle on Rose**

- Spring assisted Lever operation.
- Solid spindle 8mm – QuickFit®
- Concealed through Fixing M6 thread screws.
- Rectangular Narrow Rose & Cyl Escutcheon
- Euro Profile

Material			Side	UOM	Colour	Code
Brass	8mm	62-74mm	Internal / External	Set	Satin Black Res	DALB-RO12 SBK
				Set	Satin Copper	DALB-RO12 SCO
				Set	Light Satin Brass	DALB-RO12 LSB
				Set	Satin Nickel	DALB-RO12 SNK

(other colours available upon request – MOQ's and lead times apply)



duraplus®

Quick-Fit®  
Resista®

**HINGED DOOR  
ON MINI ROSE**

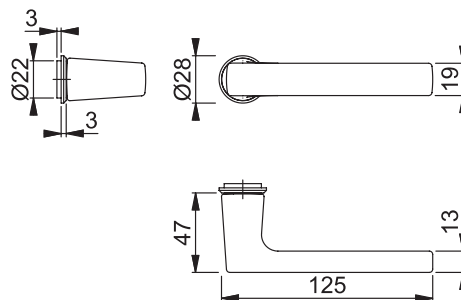


**Brass Door Handle on Mini Rose**

- Loose Handles with maintenance free slide bearing
- Solid spindle 8mm – QuickFit®
- Plug-in Mini Rose.
- Non-Screw Fixing

Material			Side	UOM	Colour	Code
Brass	8mm	62-74mm	Internal / External	Set	Satin Black Res	DALB-MR12 SBK
				Set	Satin Copper	DALB-MR12 SCO
				Set	Light Satin Brass	DALB-MR12 LSB
				Set	Satin Nickel	DALB-MR12 SNK

(other colours available upon request – MOQ's and lead times apply)



duraplus®

Quick-Fit®  
Resista®

MINI ESCUTCHEONS

Brass Mini Escutcheon for Euro cylinders

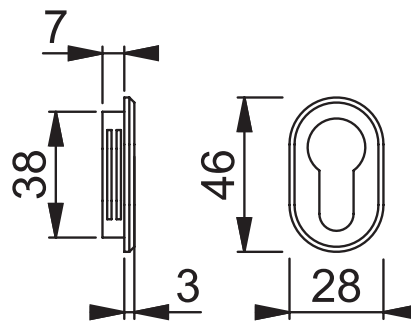
- Plug in Fixing with adhesive or silicone.
- Non screw fixing



Material	Cylinder		Side	UOM	Colour	Code
Brass	Euro	N/A	Internal / External	Set	Satin Black Res	846S-ME SBK
				Set	Satin Copper	846S-ME SCO
				Set	Light Satin Brass	846S-ME LSB
				Set	Satin Nickel	846S-ME SNK

(other colours available upon request – MOQ's and lead times apply)

duraplus®



Resista®

SPINDLE



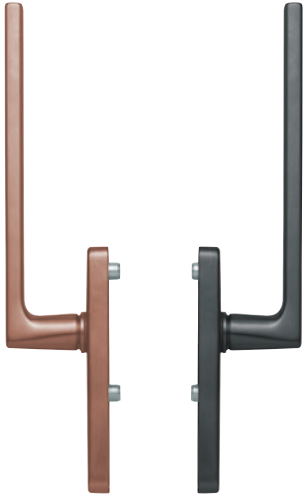
Description	Spindle Length		UOM	Colour	Code
Fixing Kits for Lever on STD & Mini Rose Door Handles inc: 1 x 8mm Spindle	155mm	67-72mm	Each	N/A	SPL-8/155



LIFT & SLIDE

Lift & Slide Patio Door Handle

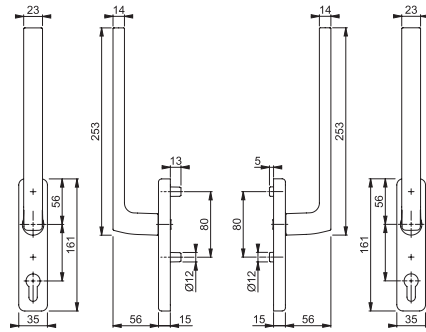
- Zamak Base with Bearing
- Concealed through Fixing M6 thread screws.
- Solid spindle radiused edges - 10mm



Material			Side	UOM	Colour	Code
Brass	10mm	Refer Fixing Kits	Internal	Each	Satin Black Res	DALB-LS1 SBK
				Each	Satin Copper	DALB-LS1 SCO
				Each	Light Satin Brass	DALB-LS1 LSB
				Each	Satin Nickel	DALB-LS1 SNK
			External	Each	Satin Black Res	DALB-LS2 SBK
				Each	Satin Copper	DALB-LS2 SCO
				Each	Light Satin Brass	DALB-LS2 LSB
				Each	Satin Nickel	DALB-LS2 SNK

(other colours available upon request – MOQ's and lead times apply)

duraplus®



Resista®

LIFT & SLIDE  
OUTERPULL

Lift & Slide Patio Door Outer Pull

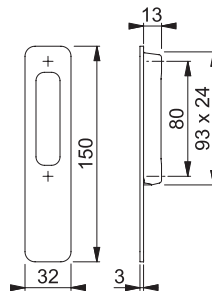
- Concealed through Fixing M6 thread screws



Material			Side	UOM	Colour	Code
Brass	10mm	Refer Fixing Kits	External	Each	Satin Black Res	DALB-LS3 SBK
				Each	Satin Copper	DALB-LS3 SCO
				Each	Light Satin Brass	DALB-LS3 LSB
				Each	Satin Nickel	DALB-LS3 SNK

(other colours available upon request – MOQ's and lead times apply)

duraplus®





Resista®

**LIFT & SLIDE  
FIXING**
**Lift & Slide Fixing**

- Fixing Kits M6 for Lift & Slide door sets



Description	Spindle Length		UOM	Colour	Code
Fixing Kits for Lift & Slide DBL Handle inc: 1 x 10mm Spindle   2 x M6 Screws	118mm	65-70mm	Set	N/A	LSFIX-6570
	123mm	70-75mm	Set		LSFIX-7075
	128mm	75-80mm	Set		LSFIX-7580
	133mm	80-85mm	Set		LSFIX-8085
	138mm	85-90mm	Set		LSFIX-8590

Description	Spindle Length		UOM	Colour	Code
Spindle for Lift & Slide 1 x 10mm Spindle	73mm	75-80mm	Each	N/A	LSSPDL-7580
	83mm	85-90mm	Each		LSSPDL-8085
Screw Set for Lift & Slide 2 x M6 Screws	85-90mm	65-70mm	Set		LSSCRW-7580
	90-95mm	70-75mm	Set		LSSCRW-8085



**DALLAS**  
M543

**Brass Straight Pull Handle**

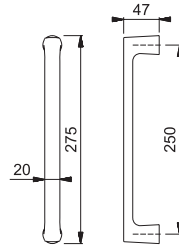
- Fixing: concealed, pull handle fixing system no. 11



duraplus®

Description	Length	Fixing Distance	Type	UOM	Colour	Code
Brass	275mm	250mm	Straight	Each	Brushed Chrome	DAL-275 BCH
					Satin Black Res	DAL-275 SBK
					Satin Copper	DAL-275 SCO
					Light Satin Brass	DAL-275 LSB

Other fixing options available - refer fixing kits on page #24



**Resista®**

**E5726**

**Stainless Steel Rectangular Bar-Shaped Pull Handle**

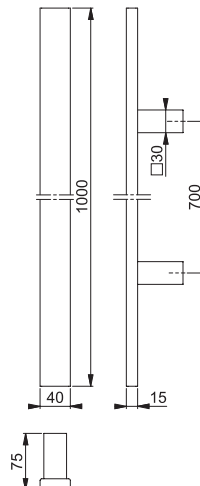
- Supports: square, straight
- Fixing: concealed, pull handle fixing system no. 11



duraplus®

Description	Length	Fixing Distance	Type	UOM	Colour	Code
Stainless Steel	1000mm	700mm	Straight	Each	Stainless Steel	5726-1000 SSS
					Matt Black	5726-1000 MBK

Other sizes available upon request from 800-1800mm in 200mm increments. Lead times apply  
Other fixing options available - refer fixing kits on page #24



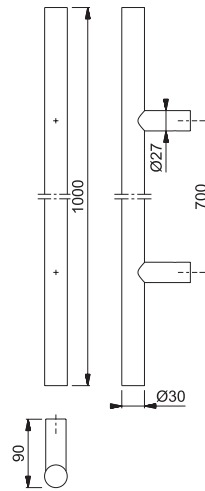
**E5011**

**Stainless Steel 30mm Round Bar-Shaped Pull Handle**

- Supports: round, straight
- Fixing: concealed, pull handle fixing system no. 11

Description	Length	Fixing Distance	Type	UOM	Colour	Code
Stainless Steel	1000mm	700mm	Straight	Each	Stainless Steel	5011-1000 SSS
					Matt Black	5011-1000 MBK

Other sizes available upon request from 800-1800mm in 200mm increments. Lead times apply  
Other fixing options available - refer fixing kits on page #24



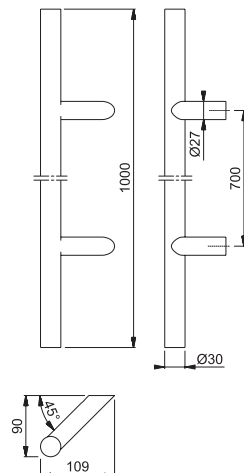
**E5012**

**Stainless Steel 30mm Round Bar-Shaped Pull Handle**

- Supports: round, inclined at an angle of 45°
- Fixing: concealed, pull handle fixing system no. 11

Description	Length	Fixing Distance	Type	UOM	Colour	Code
Stainless Steel	1000mm	700mm	45° Offset	Each	Stainless Steel	5011-1000 SSS
					Matt Black	5011-1000 MBK

Other sizes available upon request from 800-1800mm in 200mm increments. Lead times apply  
Other fixing options available - refer fixing kits on page #24



**E5091**

**Stainless Steel Pull Handle with D-shaped Cross Section of the Bar**

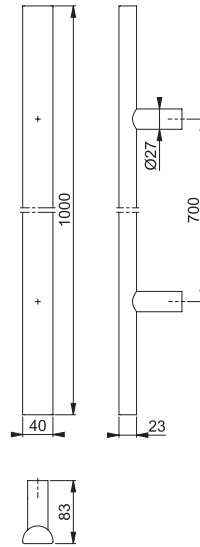
- Supports: round, straight
- Fixing: concealed, for HOPPE pull handle fixing systems

Description	Length	Fixing Distance	Type	UOM	Colour	Code
Stainless Steel	1000mm	700mm	Straight	Each	Stainless Steel	5091-1000 SSS
					Matt Black	5091-1000 MBK

Other sizes available upon request from 800-1800mm in 200mm increments. Lead times apply  
Other fixing options available - refer fixing kits on page #24



duraplus®



Resista®

**E5092**

**Stainless Steel Pull Handle with D-shaped Cross Section of the Bar**

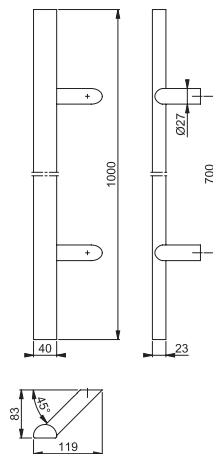
- Supports: round, inclined at an angle of 45°

Description	Length	Fixing Distance	Type	UOM	Colour	Code
Stainless Steel	1000mm	250mm	45° Offset	Each	Stainless Steel	5092-1000 SSS
					Matt Black	5092-1000 MBK

Other sizes available upon request from 800-1800mm in 200mm increments. Lead times apply  
Other fixing options available - refer fixing kits on page #24



duraplus®



**E5600**

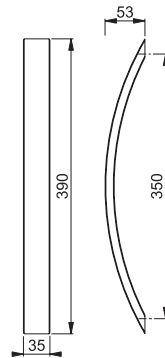
**Stainless Steel Bow-Shaped Rectangular Pull Handle**

- Fixing: concealed, for one-side fixing with 2 M8 screws (order separately) on aluminium and PVC doors



duraplus®

Description	Length	Fixing Distance	Type	UOM	Colour	Code
Stainless Steel	390mm	350mm	Bow	Each	Stainless Steel	5600-390 SSS
					Matt Black	5600-390 MBK



**E5606**

**Stainless Steel Bow-Shaped Rectangular Pull Handle**

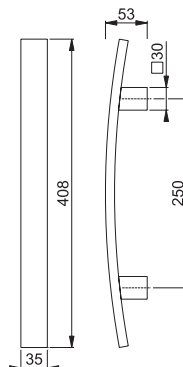
- Supports: square, straight
- Fixing: concealed, pull handle fixing system no. 11



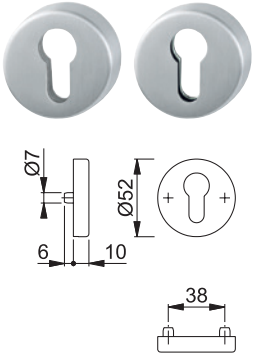
duraplus®

Description	Length	Fixing Distance	Type	UOM	Colour	Code
Stainless Steel	480mm	250mm	Bow	Each	Stainless Steel	5606-408 SSS
					Matt Black	5606-408 MBK

Other fixing options available - refer fixing kits on page #24



## E42 CYLINDER ESCUTCHEON

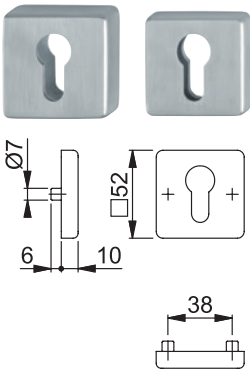


## ROUND Stainless Steel Security Escutcheon for Entrance Doors

- Base: steel, supporting lugs
- Fixing: concealed, bolt-through, M5 thread screws

Description	Type	Sash Thickness	Side	UOM	Finish	Code
Stainless Steel	Round	57-72mm	Internal / External	Set	Stainless Steel	42SNA SSS
		M5 Through	Internal	Each	Matt Black	42SHS MBK
			External	Each	Matt Black	42SZN MBK

## E42 CYLINDER ESCUTCHEON



## SQUARE Stainless Steel Security Escutcheon for Entrance Doors

- Base: steel, supporting lugs
- Fixing: concealed, bolt-through, M5 thread screws

Description	Type	Sash Thickness	Side	UOM	Finish	Code
Stainless Steel	Square	57-72mm	Internal / External	Set	Stainless Steel	52SNA SSS
		M5 Through	Internal	Each	Matt Black	52S MBK
			External	Each	Matt Black	52ZN MBK

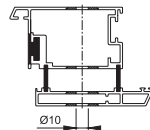
## CONNECTION SET BACK TO BACK



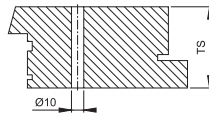
### Pull Handle Fixing System No. 5

- For back-to-back fixing to aluminium, wood and PVC door

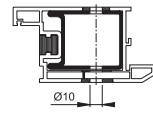
Description	Type	Sash Thickness	UOM	Code
Aluminium, uPVC & Wood	Back to Back	37-47mm	Each	PHBB-3747FX
		47-57mm		PHBB-4757FX
		57-67mm		PHBB-5767FX



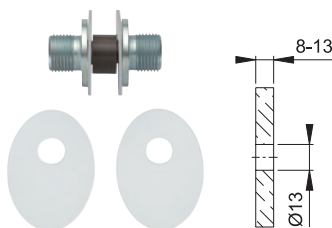
aluminium profile



wood profile



PVC profile



### Pull Handle Fixing System No. 7

- For back-to-back fixing to aluminium, wood and PVC door

Description	Type	Sash Thickness	UOM	Code
Glass	Back to Back	8-13mm	Each	PHBB-0813FX



**duraplus®**

HOPPE divides its product range into three lines based on the customers' different requirements in price and perception of value – duravert®, duraplus® and duranorm®. **duraplus® stands for better product line.**

**Secustik®**

• **Secustik® technology**

Window handles with Secustik® technology hinder unauthorised tampering with the window fitting from outside by an integrated jamming mechanism. The precision clicking of the blocking mechanism when engaging itself is the audible sign of more security for your windows.

**Secu100®**

• **Secu100® technology**

The Secu100® technology prevents the turning and pulling off of the window handle up to a torque of 100 Nm\*.

\* 1 Nm (Newton metre) is equal to the torque resulting from a force of one Newton applied perpendicularly to a lever arm which is 1 metre long.

**Secu100®**

**Secustik®**

• **Secu100® + Secustik® technology**

The Secu100® + Secustik® combines the Secu100® with Secustik® technology. With this, not only is there a high degree of safety when locked, but also an in-built permanent, basic security even when unlocked.

**SecuTBT®**

• **SecuTBT operation**

SecuTBT window handles are suitable for TBT(Tilt Before Turn) window hardware only, TBT meaning the sequence of opening and closing the window: closed - tilted - turned open.

**Resista®**

• **Resista®**




For hardware with Resista® HOPPE offers a 10-year surface guarantee (see also "Guarantee"). Resista® hardware is ideal for coastal areas and highly frequented areas such as public buildings, shops and hotels.

**VarioFit®**


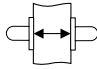
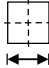
• **VarioFit®**

Instead of many variants with different spindle lengths: With VarioFit®, the solid spindle of the window handle flexibly adapts to the depth of the window profile and thus the position of the gear.

**BRAND ATTRIBUTES**

	<p>Distinguish all HOPPE products</p>
	<p><b>Convey the brand promise</b></p> <ul style="list-style-type: none"> <li>• 10-year guarantee on the mechanical operation</li> <li>• Made in Europe</li> <li>• DIN EN ISO 14001</li> </ul>
	<p>Environmentally considerate manufacturing</p>

**EXPLANATION OF SYMBOLS**

	<p>Profile cylinder</p>
	<p>Door thickness (in mm)</p>
	<p>Spindle size (in mm)</p>

**ALUMINIUM - STOCKED FINISHES**



**F9**  
Steel Effect



**F9016**  
Traffic White



**F9714M**  
Satin Black

**ALUMINIUM - FINISHES AVAILABLE FOR ORDER**



**F1**  
Silver Effect



**F3**  
Gold Effect



**F4**  
Bronze Effect



**F31-1**  
Matt Stainless Steel Effect



**F94-1**  
Matt Chrome Effect



**F9016M**  
Matt Traffic White

**BRASS - STOCKED FINISHES**



**F78-1-R**  
Satin



**F84-1-R**  
Copper Coloured Satin



**F96-1-R**  
Satin Black



**F42-1-R**  
Satin Nickel

**BRASS - FINISHES AVAILABLE FOR ORDER**



**F41-R**  
Brushed Chrome



**F49-R**  
Polished Chrome



**F77-R**  
Brass Coloured Polished



**F78-R**  
Light polished brass effect



**F84-R**  
Copper Coloured Polished



**F96-R**  
Polished Black



**F97-R**  
Polished Anthracite



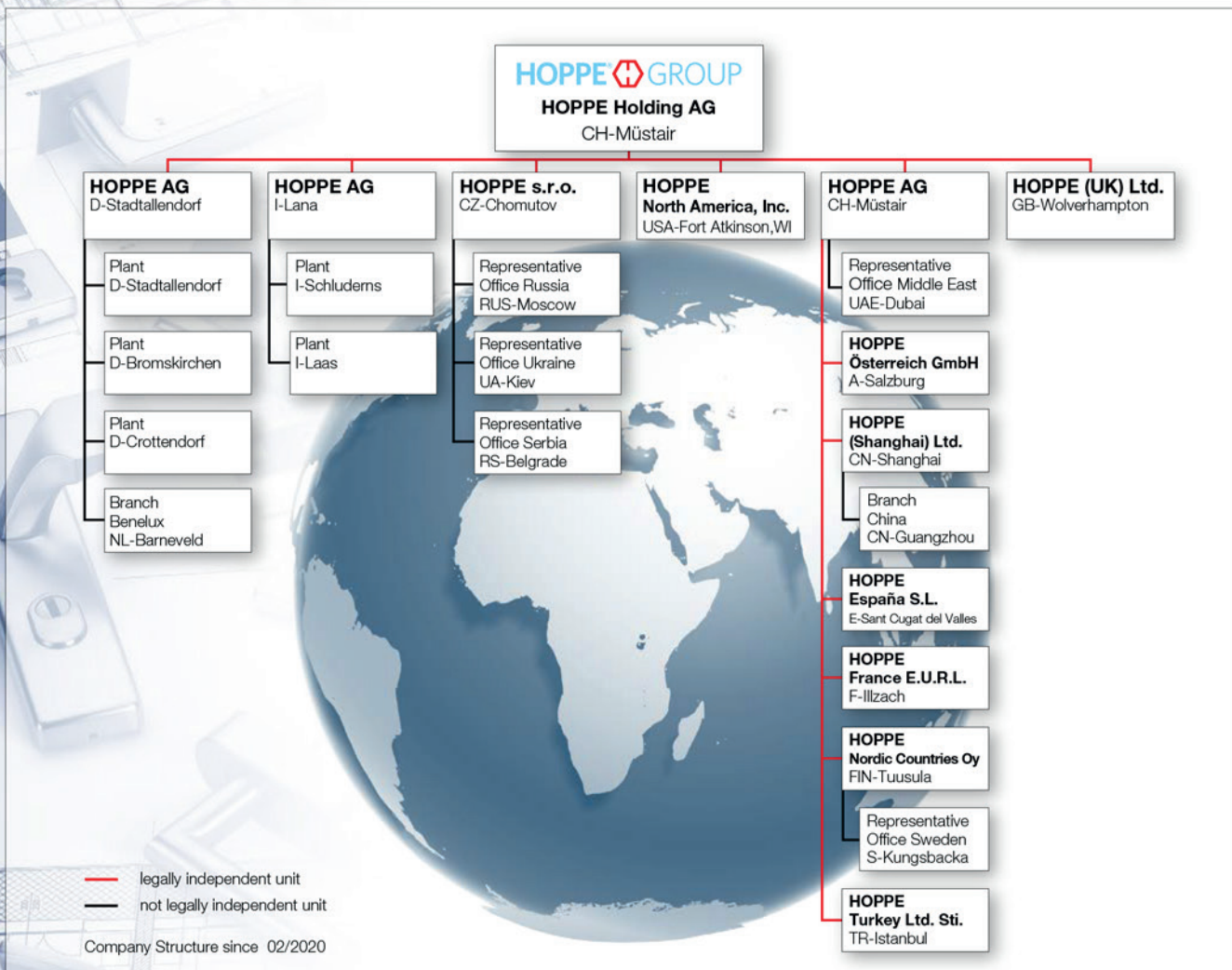
**F97-1-R**  
Satin Anthracite

# About the HOPPE Group

## The HOPPE Group

In 1952, Friedrich Hoppe founded a company for the manufacture of door hardware in Heiligenhaus near Düsseldorf, the former heartland of Germany's lock and hardware industry. In 1954 he moved the business to Stadtallendorf (north of Frankfurt) and in so doing laid the foundation for continual growth.

Today, the HOPPE Group, an internationally active company with its headquarters in Switzerland, is led by Wolf Hoppe and Christoph Hoppe in its second generation.



With around 2,800 people it employs in seven plants in Europe and the USA as well as its international marketing, the owner-run HOPPE family business is the European leader in the development, manufacture and marketing of hardware systems for doors and windows.

In fairness to employees, customers, suppliers and the regions in which HOPPE is located, the company pursues the principle of profitability before turnover. The following beliefs make the HOPPE Group what it is today:

*“Creativity is intelligent thinking against the norm”,  
the result being:  
“Different from and better than others”*



**FSA<sup>®</sup>**

[www.fsa-aus.com.au](http://www.fsa-aus.com.au)