



FSA[®]

FENESTRATION
SOLUTIONS
AUSTRALIA

CATALOGUE
EURO HANDLE SERIES
FOR WINDOWS AND DOORS

HOPPE[®] 





MAKING
LIFE
BETTER

WHAT WE STAND FOR

Everyday we live our overarching purpose; to make life better for our team, our customers and to drive our industry forward. To be better than yesterday and committed to a better tomorrow through everything we do.

Ultimately, we inspire architectural innovation and improve homes to create enjoyable and efficient lifestyles. We search the world over to source the most desirable, innovative and superior products available for the Australasian market. Combining stunning aesthetic design, state-of-the-art features, and first-class thermal efficiency, FSA introduces incredibly smart solutions for Australian window & door manufacturers and their customers.

Our experience and research reflects a detailed understanding of local and international markets, technical expertise and a dedication to exceptional customer service and streamlined support. This is exemplified in our extensive portfolio demonstrating our commitment to making life better.



www.fsa-us.com.au

5	DALLAS BRASS SERIES
	Tilt & Turn Handles
	Tilt & Slide
	Door Handles
	Lift & Slide
	Fixing Kits
10	GLOSSARY
11	COLOUR CHART



TILT & TURN

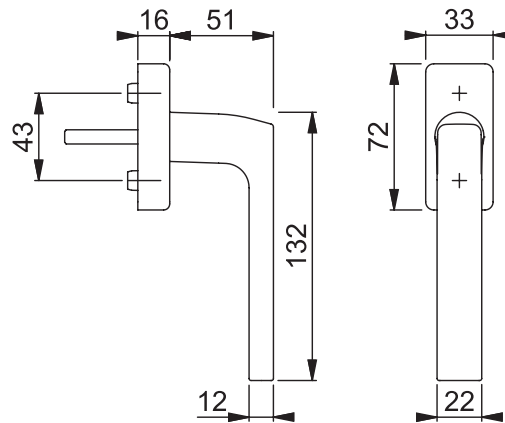
Tilt and Turn Window Handle

- Solid 7mm spindle with 10mm Adjustment – VarioFit®
- Concealed Fixing M5 thread screws.



Material		Spindle Length	Side	UOM	Colour	Code
Brass	7mm	32-42mm	Internal	Each	Satin Black Res	DALB-TT SBK
				Each	Satin Copper	DALB-TT SCO
				Each	Light Satin Brass	DALB-TT LSB
				Each	Satin Nickel	DALB-TT SNK

(other colours available upon request – MOQ's and lead times apply)



duraplus®

Secustik®

VarioFit®

Resista®

TILT & SLIDE

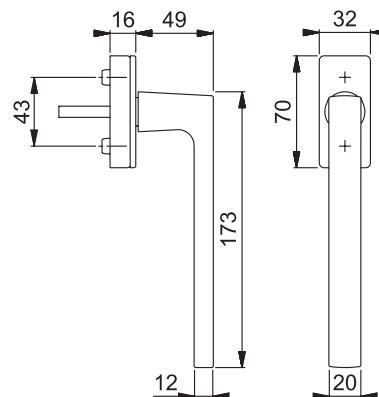
Tilt and Slide PSK Patio Handle

- Solid 7mm spindle with 10mm Adjustment – VarioFit®
- Concealed Fixing M5 thread screws.



Material		Spindle Length	Side	UOM	Colour	Code
Brass	7mm	32-42mm	Internal	Each	Satin Black Res	DALB-TS1 SBK
				Each	Satin Copper	DALB-TS1 SCO
				Each	Light Satin Brass	DALB-TS1 LSB
				Each	Satin Nickel	DALB-TS1 SNK

(other colours available upon request – MOQ's and lead times apply)



duraplus®

Secustik®

VarioFit®

Resista®

**HINGED DOOR
ON ROSE**

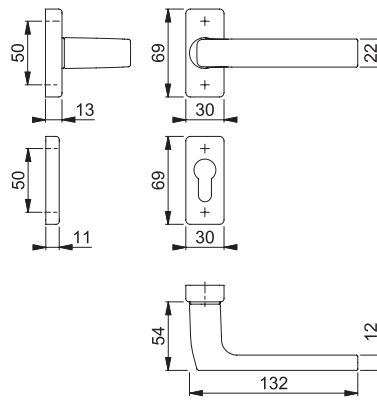


Brass Door Handle on Rose

- Spring assisted Lever operation.
- Solid spindle 8mm – QuickFit®
- Concealed through Fixing M6 thread screws.
- Rectangular Narrow Rose & Cyl Escutcheon
- Euro Profile

Material			Side	UOM	Colour	Code
Brass	8mm	62-74mm	Internal / External	Set	Satin Black Res	DALB-RO12 SBK
				Set	Satin Copper	DALB-RO12 SCO
				Set	Light Satin Brass	DALB-RO12 LSB
				Set	Satin Nickel	DALB-RO12 SNK

(other colours available upon request – MOQ's and lead times apply)



duraplus®

Quick-Fit®
Resista®

**HINGED DOOR
ON MINI ROSE**

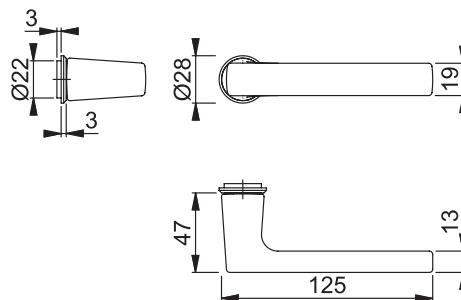


Brass Door Handle on Mini Rose

- Loose Handles with maintenance free slide bearing
- Solid spindle 8mm – QuickFit®
- Plug-in Mini Rose.
- Non-Screw Fixing

Material			Side	UOM	Colour	Code
Brass	8mm	62-74mm	Internal / External	Set	Satin Black Res	DALB-MR12 SBK
				Set	Satin Copper	DALB-MR12 SCO
				Set	Light Satin Brass	DALB-MR12 LSB
				Set	Satin Nickel	DALB-MR12 SNK

(other colours available upon request – MOQ's and lead times apply)



duraplus®

Quick-Fit®
Resista®

MINI ESCUTCHEONS

Brass Mini Escutcheon for Euro cylinders

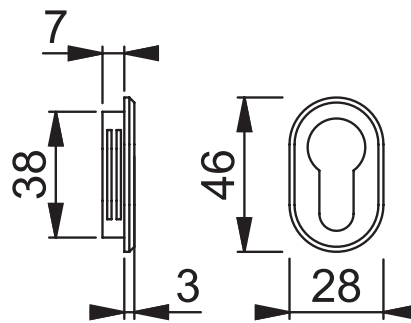
- Plug in Fixing with adhesive or silicone.
- Non screw fixing



Material	Cylinder		Side	UOM	Colour	Code
Brass	Euro	N/A	Internal / External	Set	Satin Black Res	846S-ME SBK
				Set	Satin Copper	846S-ME SCO
				Set	Light Satin Brass	846S-ME LSB
				Set	Satin Nickel	846S-ME SNK

(other colours available upon request – MOQ's and lead times apply)

duraplus®



Resista®

SPINDLE

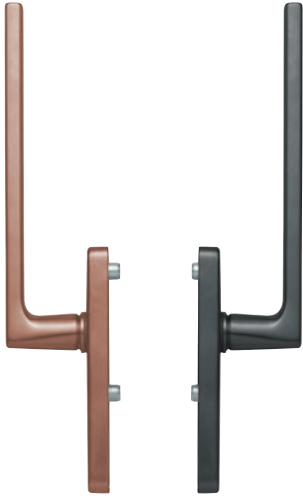


Description	Spindle Length		UOM	Colour	Code
Fixing Kits for Lever on STD & Mini Rose Door Handles inc: 1 x 8mm Spindle	155mm	67-72mm	Each	N/A	SPL-8/155

LIFT & SLIDE

Lift & Slide Patio Door Handle

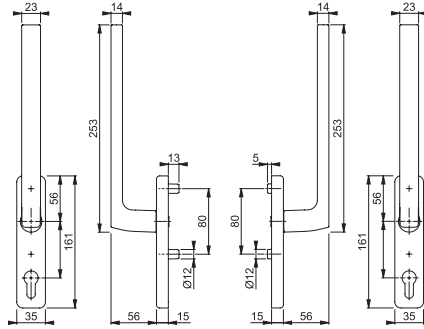
- Zamak Base with Bearing
- Concealed through Fixing M6 thread screws.
- Solid spindle radiused edges - 10mm



Material			Side	UOM	Colour	Code
Brass	10mm	Refer Fixing Kits	Internal	Each	Satin Black Res	DALB-LS1 SBK
				Each	Satin Copper	DALB-LS1 SCO
				Each	Light Satin Brass	DALB-LS1 LSB
				Each	Satin Nickel	DALB-LS1 SNK
			External	Each	Satin Black Res	DALB-LS2 SBK
				Each	Satin Copper	DALB-LS2 SCO
				Each	Light Satin Brass	DALB-LS2 LSB
				Each	Satin Nickel	DALB-LS2 SNK

(other colours available upon request – MOQ's and lead times apply)

duraplus®



Resista®

**LIFT & SLIDE
OUTERPULL**

Lift & Slide Patio Door Outer Pull

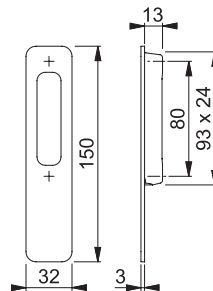
- Concealed through Fixing M6 thread screws



Material			Side	UOM	Colour	Code
Brass	10mm	Refer Fixing Kits	External	Each	Satin Black Res	DALB-LS3 SBK
				Each	Satin Copper	DALB-LS3 SCO
				Each	Light Satin Brass	DALB-LS3 LSB
				Each	Satin Nickel	DALB-LS3 SNK

(other colours available upon request – MOQ's and lead times apply)

duraplus®



Resista®

duraplus®

HOPPE divides its product range into three lines based on the customers' different requirements in price and perception of value – duravert®, duraplus® and duranorm®. **duraplus® stands for better product line.**

Secustik®

• **Secustik® technology**

Window handles with Secustik® technology hinder unauthorised tampering with the window fitting from outside by an integrated jamming mechanism. The precision clicking of the blocking mechanism when engaging itself is the audible sign of more security for your windows.

Secu100®

• **Secu100® technology**

The Secu100® technology prevents the turning and pulling off of the window handle up to a torque of 100 Nm*.

* 1 Nm (Newton metre) is equal to the torque resulting from a force of one Newton applied perpendicularly to a lever arm which is 1 metre long.

Secu100®

Secustik®

• **Secu100® + Secustik® technology**

The Secu100® + Secustik® combines the Secu100® with Secustik® technology. With this, not only is there a high degree of safety when locked, but also an in-built permanent, basic security even when unlocked.

SecuTBT®

• **SecuTBT operation**

SecuTBT window handles are suitable for TBT(Tilt Before Turn) window hardware only, TBT meaning the sequence of opening and closing the window: closed - tilted - turned open.

Resista®

• **Resista®**

For hardware with Resista® HOPPE offers a 10-year surface guarantee (see also "Guarantee"). Resista® hardware is ideal for coastal areas and highly frequented areas such as public buildings, shops and hotels.

VarioFit®

• **VarioFit®**

Instead of many variants with different spindle lengths: With VarioFit®, the solid spindle of the window handle flexibly adapts to the depth of the window profile and thus the position of the gear.

BRAND ATTRIBUTES

	Distinguish all HOPPE products
	<p>Convey the brand promise</p> <ul style="list-style-type: none"> • 10-year guarantee on the mechanical operation • Made in Europe • DIN EN ISO 14001
	Environmentally considerate manufacturing

EXPLANATION OF SYMBOLS

	Profile cylinder
	Door thickness (in mm)
	Spindle size (in mm)

ALUMINIUM - STOCKED FINISHES



F9
Steel Effect



F9016
Traffic White



F9714M
Satin Black

ALUMINIUM - FINISHES AVAILABLE FOR ORDER



F1
Silver Effect



F3
Gold Effect



F4
Bronze Effect



F31-1
Matt Stainless Steel Effect



F94-1
Matt Chrome Effect



F9016M
Matt Traffic White

BRASS - STOCKED FINISHES



F78-1-R
Satin



F84-1-R
Copper Coloured Satin



F96-1-R
Satin Black



F42-1-R
Satin Nickel

BRASS - FINISHES AVAILABLE FOR ORDER



F41-R
Brushed Chrome



F49-R
Polished Chrome



F77-R
Brass Coloured
Polished



F78-R
Light polished brass effect



F84-R
Copper Coloured Polished



F96-R
Polished Black



F97-R
Polished Anthracite



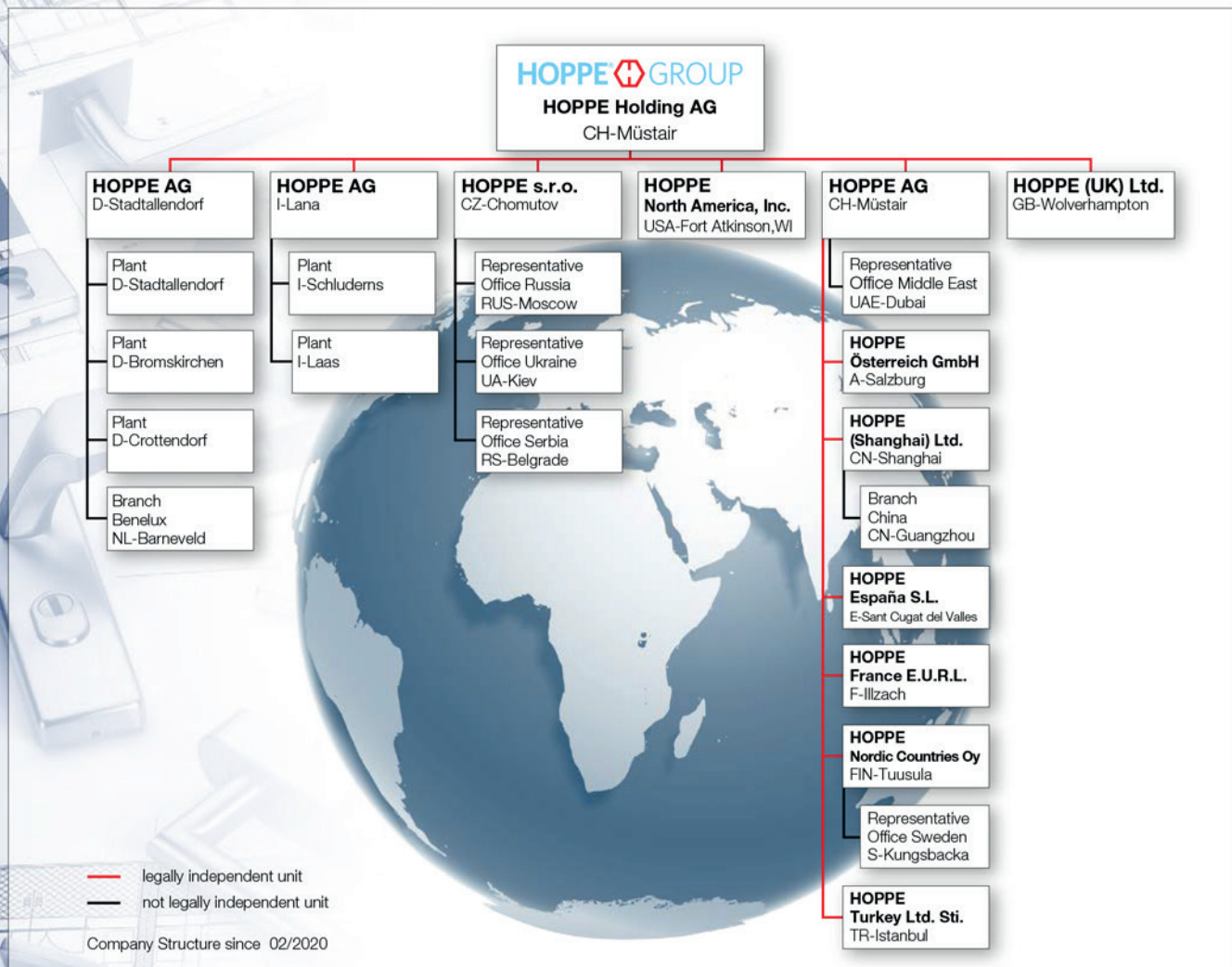
F97-1-R
Satin Anthracite

About the HOPPE Group

The HOPPE Group

In 1952, Friedrich Hoppe founded a company for the manufacture of door hardware in Heiligenhaus near Düsseldorf, the former heartland of Germany's lock and hardware industry. In 1954 he moved the business to Stadtallendorf (north of Frankfurt) and in so doing laid the foundation for continual growth.

Today, the HOPPE Group, an internationally active company with its headquarters in Switzerland, is led by Wolf Hoppe and Christoph Hoppe in its second generation.



With around 2,800 people it employs in seven plants in Europe and the USA as well as its international marketing, the owner-run HOPPE family business is the European leader in the development, manufacture and marketing of hardware systems for doors and windows.

In fairness to employees, customers, suppliers and the regions in which HOPPE is located, the company pursues the principle of profitability before turnover. The following beliefs make the HOPPE Group what it is today:

*“Creativity is intelligent thinking against the norm”,
the result being:
“Different from and better than others”*



www.fsa-aus.com.au