



FSA[®]

FENESTRATION
SOLUTIONS
AUSTRALIA

CATALOGUE
TOMMASLIDE
TOP HUNG SYSTEMS
TOMMA



MAKING
LIFE
BETTER

WHAT WE STAND FOR

Everyday we live our overarching purpose; to make life better for our team, our customers and to drive our industry forward. To be better than yesterday and committed to a better tomorrow through everything we do.

Ultimately, we inspire architectural innovation and improve homes to create enjoyable and efficient lifestyles. We search the world over to source the most desirable, innovative and superior products available for the Australasian market. Combining stunning aesthetic design, state-of-the-art features, and first-class thermal efficiency, FSA introduces incredibly smart solutions for Australian window & door manufacturers and their customers.

Our experience and research reflects a detailed understanding of local and international markets, technical expertise and a dedication to exceptional customer service and streamlined support. This is exemplified in our extensive portfolio demonstrating our commitment to making life better.



www.fsa-aus.com.au

- 4 OVERVIEW
- 5 TOMMA SOFTCLOSE
 - FULL HEIGHT**
 - FAST FIX**
- 7 TOMMA 100 SERIES
 - FAST FIX DOOR SYSTEM**
 - FULL HEIGHT DOOR SYSTEM**
- 8 TOMMA 200 SERIES
 - FAST FIX DOOR SYSTEM**
 - FULL HEIGHT DOOR SYSTEM**
- 9 TOMMA 300 SERIES
 - FAST FIX DOOR SYSTEM**
 - FULL HEIGHT DOOR SYSTEM**
- 10 ACCESSORIES
 - TRACKS**
 - COMPONENTS**
- 11 INSTALLATION OPTIONS

TOMMA SLIDE - WILL “MAKE YOUR IDEAS MOVE”.

The Tommaslide range of Sliding Door systems provide premium world class features, performance & effortless operation for all sliding doors up to 300kg. Tomma Slide systems are designed in Australia by a specialist team of engineers with over 100 years' experience and they can be installed by tradesman and handymen alike. Support Aussie innovation and Engineering and ask for Tomma Slide on your doors.

Tommaslide is available in 4 weight dependent series as follows;

SOFT CLOSE

Fast Fix for fast and easy installation

Full Height for a minimum door to track gap of 4mm

100 SERIES

Fast Fix for fast and easy installation

Full Height for a minimum door to track gap of 4mm

200 SERIES

Fast Fix for fast and easy installation

Full Height for a minimum door to track gap of 4mm

300 SERIES

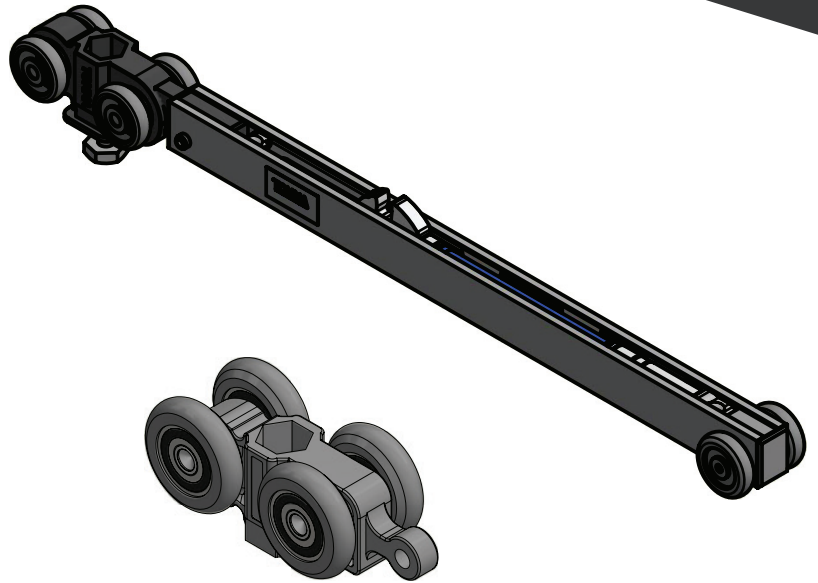
Fast Fix for fast and easy installation

Full Height for a minimum door to track gap of 4mm










KEY FEATURES

- Suitable for panels up to 160kg
- Full height bracket options
- 4mm Gap only between Door and Track
- Easy to use adjustment system
- For internal and cavity Doors
- Tested to over 100,000 cycles
- Kits to suit doors 20, 40, 60, 80 & 160kg
- Child safe operation



PLATINUM END TROLLEY SYSTEM

TOMMA SOFT CLOSE FULL HEIGHT KIT

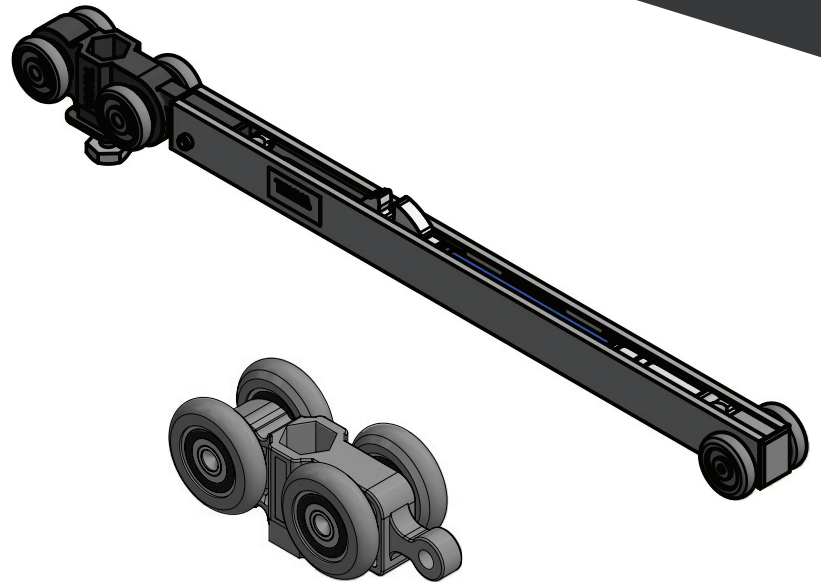
	Description	Qty
	Stop Catch	1
	End Trolley	1
	Full Height Door Soft Close	1
	Trigger Plate	1
	Full Height Door Bracket & Spear	2
	Pressed Spanner	1
	Track insert	1

SOFT CLOSE DOOR WEIGHT GUIDE

0-20kg	TS-SCFHK-20	40-60kg	TS-SCFHK-60
20-40kg	TS-SCFHK-40	60-80kg	TS-SCFHK-80
		160kg	TS-SCFHK-160







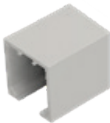
KEY FEATURES

- Suitable for panels up to 160kg
- Fast fix bracket options
- Easy to use adjustment system
- For internal and cavity Doors
- Tested to over 100,000 cycles
- Kits to suit doors 20, 40, 60, 80 & 160kg
- Child safe operation



PLATINUM END TROLLEY SYSTEM

TOMMA SOFT CLOSE FAST FIX KIT

	Description	Qty
	Stop Catch	1
	End Trolley	1
	Full Height Door Soft Close	1
	Trigger Plate	1
	Fast Fix Bracket	2
	Pressed Spanner	1
	Track insert	1

SOFT CLOSE DOOR WEIGHT GUIDE

0-20kg	TS-SCFFK-20	40-60kg	TS-SCFFK-60
20-40kg	TS-SCFFK-40	60-80kg	TS-SCFFK-80
		160kg	TS-SCFFK-160

KEY FEATURES

- Suitable for panels up to 100 kg
- Full height door or fast fix bracket options
- 4mm Gap only between Door and Track (Full Height system only)
- Easy to use adjustment system
- For internal, external (non-coastal areas) and cavity Doors
- Retrofitting of Soft Close possible






TOMMASLIDE 100 FAST FIX DOOR SYSTEM






TOMMASLIDE 100 FULL HEIGHT DOOR SYSTEM

TOMMASLIDE 100 FAST FIX DOOR KIT - TS-100FFK

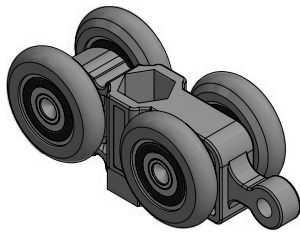
	Description	Qty
	Four Wheel Trolley	2
	Fast Fix Bracket & Screws	2
	Pressed Spanner	1

TOMMASLIDE 100 FULL HEIGHT DOOR KIT - TS-100FHK

	Description	Qty
	Four Wheel Trolley	2
	Full Height Door Bracket & Screws	2
	Pressed Spanner	1

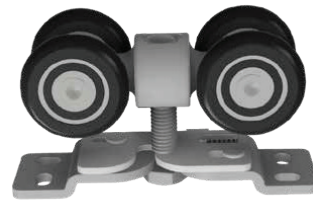
KEY FEATURES & BENEFITS

- Suitable for panels up to 200 kg
- Full height door or fast fix bracket options
- 4mm Gap only between Door and Track (Full Height system only)
- Easy to use adjustment system
- For internal, external (non-coastal areas) and cavity Doors



PLATINUM END TROLLEY SYSTEM

NEW TROLLEY KIT LAUNCHING JUNE / JULY 2023



TOMMASLIDE 200 FAST FIX DOOR SYSTEM






TOMMASLIDE 200 FULL HEIGHT DOOR SYSTEM

TOMMASLIDE 200 FAST FIX DOOR KIT - TS-20OFFK

	Description	Qty
	Four Wheel Trolley	2
	Fast Fix Bracket & Screws	2
	Pressed Spanner	1

TOMMASLIDE 200 FULL HEIGHT DOOR KIT - TS-20OFHK

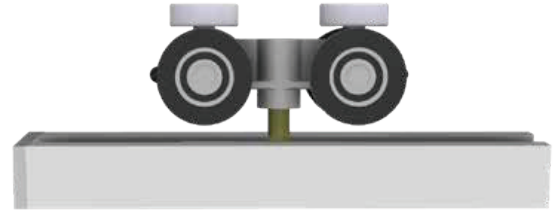
	Description	Qty
	Four Wheel Trolley	2
	Full Height Door Bracket & Screws	2
	Pressed Spanner	1

KEY FEATURES

- Suitable for panels up to 300 kg
- Full height door or fast fix bracket options
- 4mm Gap only between Door and Track (Full Height system only)
- Easy to use adjustment system
- For internal, external (non-coastal areas) and cavity Doors



TOMMASLIDE 300 STANDARD DOOR SYSTEM






TOMMASLIDE 300 FULL HEIGHT DOOR SYSTEM




TOMMASLIDE 300 STANDARD DOOR KIT - TS-300SFK

	Description	Qty
	Four Wheel Trolley	2
	Fast Fix Bracket & Screws	2
	Pressed Spanner	1





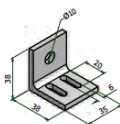
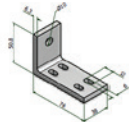
TOMMASLIDE 300 FULL HEIGHT KIT - TS-300FHK

	Description	Qty
	Four Wheel Trolley	2
	Full Height Door Bracket & Screws	2
	Pressed Spanner	1

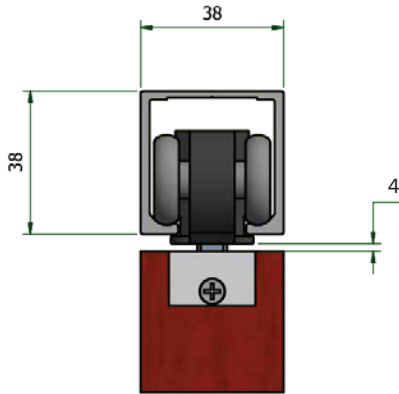
TRACKS

	Description	Length	Part Number
	SOFT CLOSE TOP TRACK 100 & 200 Series	2.0m	TS-SCTT20CA
		3.0m	TS-SCTT30CA
		4.0m	TS-SCTT40CA
		6.0m	TS-SCTT60CA
	300 Series TOP TRACK Clear Anodised	2.0m	TS-300TT20CA
		3.0m	TS-300TT30CA
		4.0m	TS-300TT40CA
		6.0m	TS-300TT60CA
	ALUMINIUM BOTTOM TRACK 26.5mm x 19mm Clear Anodised	2.0m	TS-BT20CA
		3.0m	TS-BT30CA
		4.0m	TS-BT40CA
		6.0m	TS-BT60CA

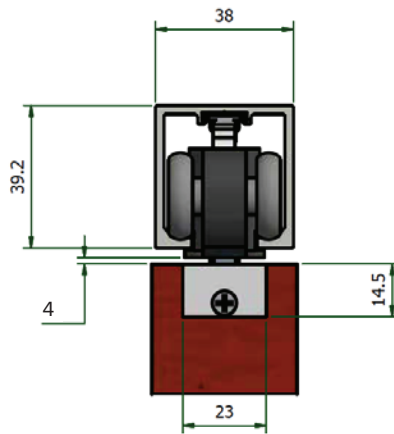
COMPONENTS

	Description	System	Part Number
	Stop Catch	100 Series & 200	TS-DSC
	300kg Door Stop	300 Series	TS-DS300
	Plastic Bottom Door Guide	All	TS-PDG
	Single Wheel bottom guide	All	TS-SWBG
	Single Track Mounting Bracket	All	TS-STMB
	Double Track Mounting Bracket	All	TS-DTMB

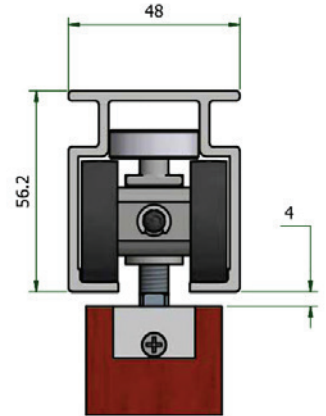
TOP VIEW



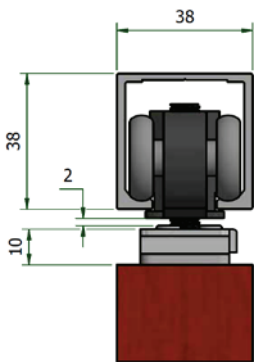
100/200 FULL HEIGHT



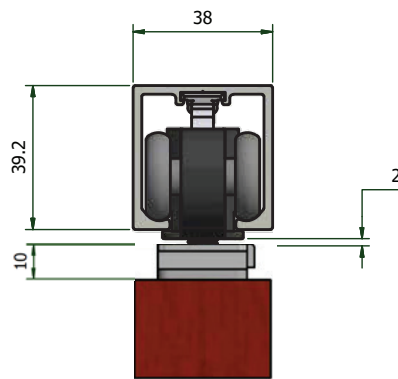
SOFT CLOSE FULL HEIGHT



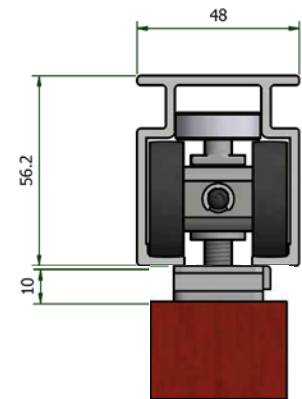
300 FULL HEIGHT



100/200 FAST FIX

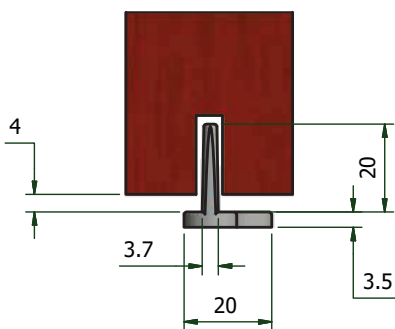


SOFT CLOSE FAST FIX

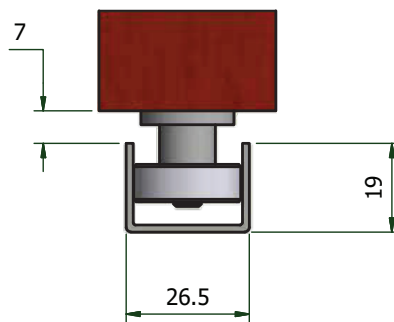


300 STD FIX

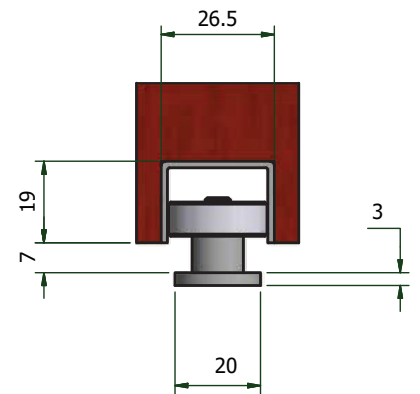
BOTTOM VIEW



DOOR GUIDE



REBATED TRACK



RECESSED TRACK



FSA[®]

www.fsa-aus.com.au