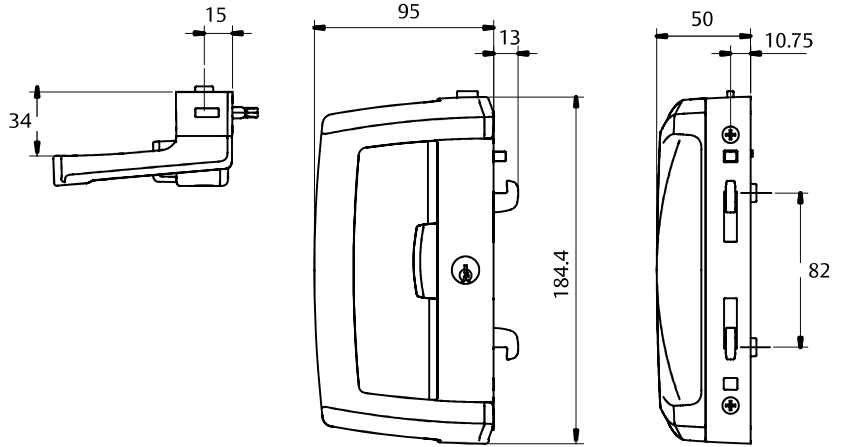
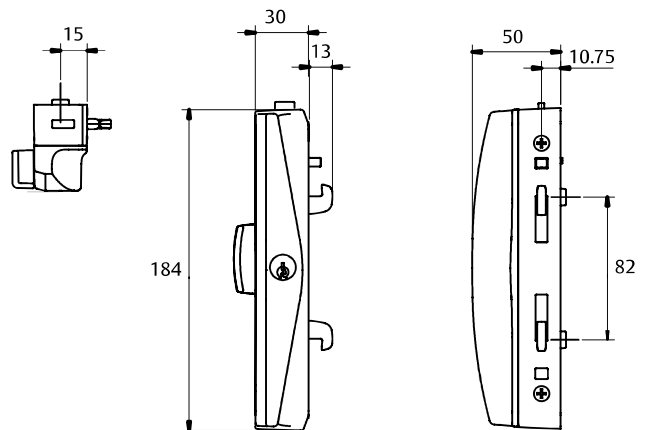


LOCKWOOD ONYX SLIDING DOOR LOCKS

Internal Furniture



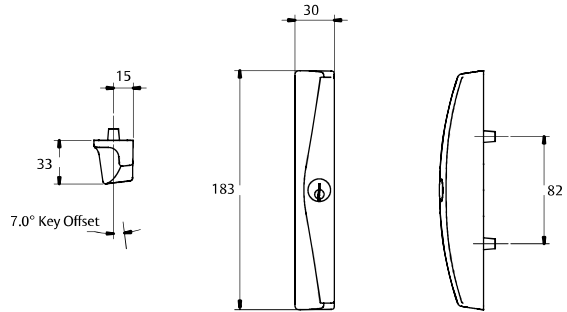
- 1 D-Handle Locking
- 2 D-Handle Non Locking
- 5 D-Handle Dummy



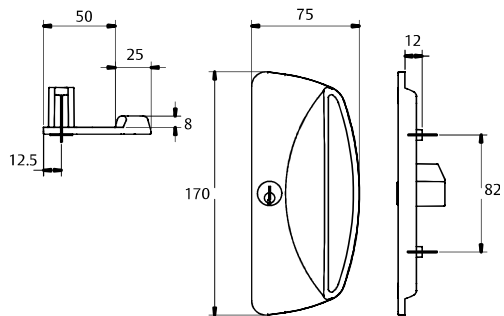
- 3 Slim Pull Locking
- 4 Slim Pull Non Locking
- 6 Slim Pull Dummy

LOCKWOOD ONYX SLIDING DOOR LOCKS

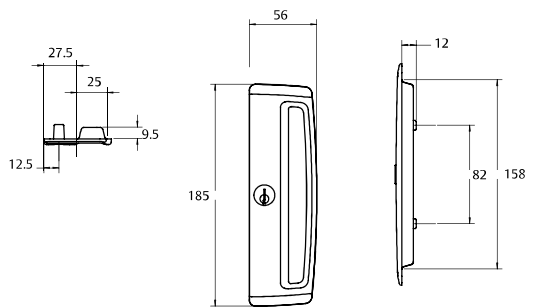
External Furniture



- A Slim Pull Locking
- B Slim Pull Non Locking



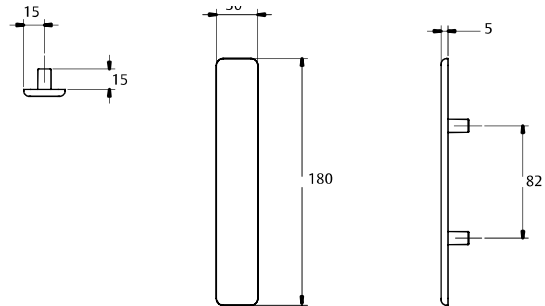
- C Flat Outer Pull Locking
- D Flat Outer Pull Non Locking



- E Mortice Pull Locking
- F Mortice Pull Non Locking

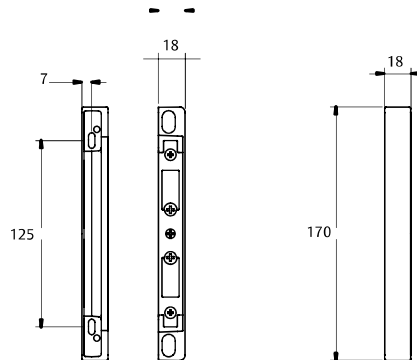
LOCKWOOD ONYX SLIDING DOOR LOCKS

External Furniture

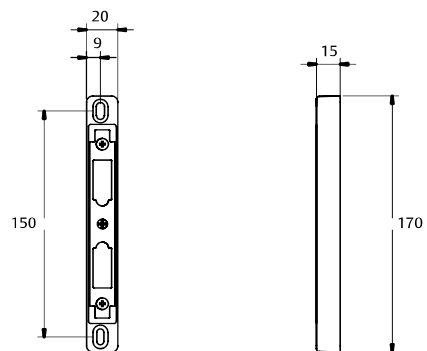


G Cover Plate

Strikes



2 Universal Fix



4 Side (Face) Fix

LOCKWOOD ONYX ORDERING INFORMATION

Sample part number 9A1B2/5PBLK is made up of several sections. Choose your product by selecting an option from each section.

For example:

Platform / Suite	Internal Furniture	External Furniture	Strike	Cylinder	Finish
9A	1	B	2	5P	BLK

Platform / Suite	
Lockwood Patio Door, Style A	9A

Internal Furniture	
No Internal Furniture *	0
D Handle Locking	1
D Handle Non Locking	2
Slim Pull Locking	3
Slim Pull Non Locking	4
D Handle Dummy	5
Slim Handle Dummy	6
DAS Handle Locking (D with aided snib)	7
DAS Handle Non Locking (D with aided snib)	8

Furniture comes complete with lock or dummy chassis and fixing screw pack to suit 19 – 50mm thick doors.

* No internal furniture option will also come less lock chassis.

External Furniture	
No External Furniture *	X
Slim Pull Locking	A
Slim Pull Non Locking	B
Flat Outer Pull Locking	C
Flat Outer Pull Non Locking	D
Mortice Pull Locking	E
Mortice Pull Non Locking	F
Cover Plate	G
Polymer Pull Locking	K
Polymer Pull Non Locking	L

* Exterior furniture plate is required to fix internal furniture to door with through screws.

Strike	
No Strike	0
Surface (Front) Fix	1
Universal Fix	2
Extra Width Surface Fix	3
Side (Face) Fix	4

Cylinder	
5 pin Cylinder/s	5P
6 pin Cylinder/s	6P
No Cylinders – order cylinder separately	NC
Non Keyed Lockset	XX

Finish	
Black	BLK
Silver	SIL
White	WH
Satin Chrome Pearl	SP
Polyester Powder Coat*	PPC

* Specify colour (Dulux number), additional lead time and costs apply.

^ Part number convention is for reference only, not all possible combinations will be available as a pre packed lockset. Some configurations will need to be made up of sub-assemblies. i.e. Two or more line items may be required to make up desired configuration.