

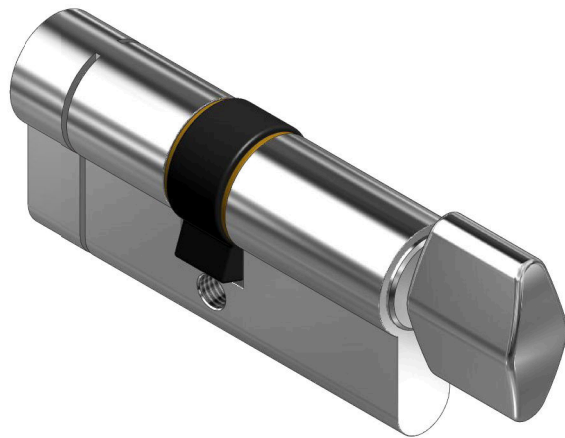
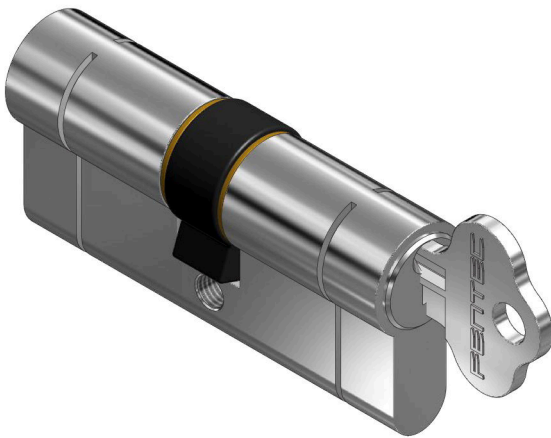
Fenestration Solutions Australia are excited to introduce a range of customised European cylinders for the Australian market.

The FENTEC™ Euro Cylinder range has been developed to suit the unique needs of the Australian market. It has a large offer of sizes and offset cams, providing flexibility across all thicknesses of doors.

It is available Keyed Alike across the entire range, allowing the ability to offer a complete Keyed Alike solution to the end user. Also, because FENTEC™ uses the C4 keyway, the most common in Australia, it is as simple as visiting the nearest Locksmith to have additional keys cut or even the cylinders completely re-keyed.

KEY FEATURES

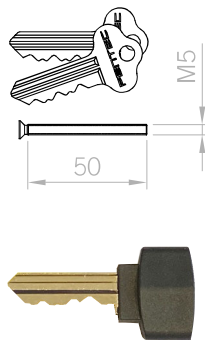
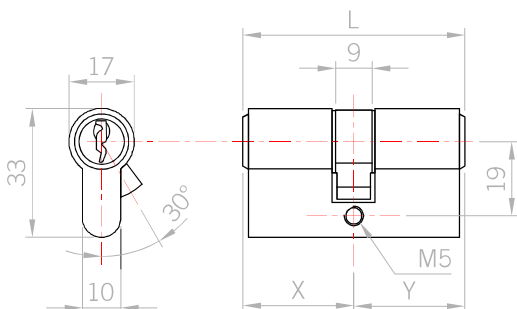
- Uses the C4 Keyway
- Available keyed alike across all sizes
- A range of lengths available including offset cams
- Supplied with two keys and 50mm Cylinder screw
- Half cylinders available on request. Please contact your FSA representative.



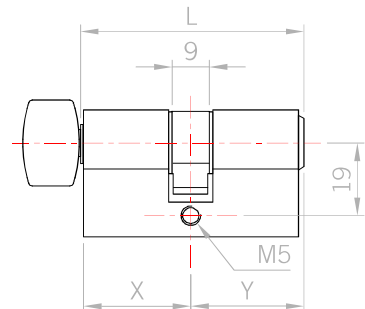
| KEY/KEY CYLINDER | | | | |
|------------------|-----------------------------|-----|----|----|
| ITEM CODE | EXTENDED DESCRIPTION | L | X | Y |
| F-DC3030 | 60mm Euro Profile 5 PIN SC | 60 | 30 | 30 |
| F-DC3535 | 70mm Euro Profile 5 PIN SC | 70 | 35 | 35 |
| F-DC4040 | 80mm Euro Profile 5 PIN SC | 80 | 40 | 40 |
| F-DC4050 | 90mm Euro Profile 5 PIN SC | 90 | 40 | 50 |
| F-DC4545 | 90mm Euro Profile 5 PIN SC | 90 | 45 | 45 |
| F-DC5050 | 100mm Euro Profile 5 PIN SC | 100 | 50 | 50 |
| F-DC5555 | 110mm Euro Profile 5 PIN SC | 110 | 55 | 55 |

| KEY/TURN CYLINDER | | | | |
|-------------------|----------------------------------|-----|----|----|
| ITEM CODE | EXTENDED DESCRIPTION | L | X | Y |
| F-CT4040 | 80mm Euro Profile Turn 5 PIN SC | 80 | 40 | 40 |
| F-CT5050 | 100mm Euro Profile Turn 5 PIN SC | 100 | 50 | 50 |

5-Pin C4 Double Cylinder



5-Pin C4 Turn Cylinder



Removable key snib