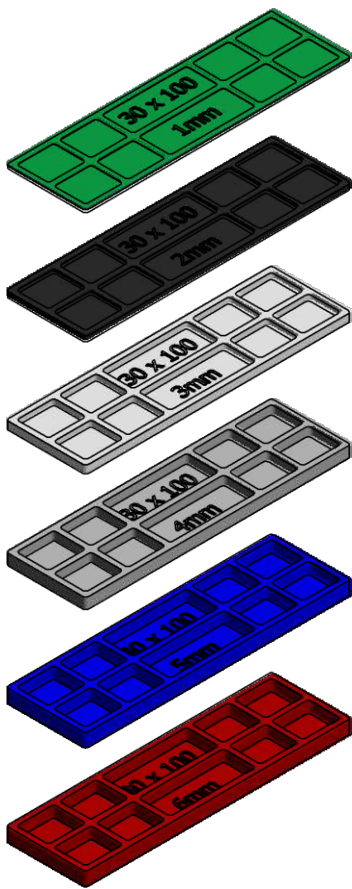
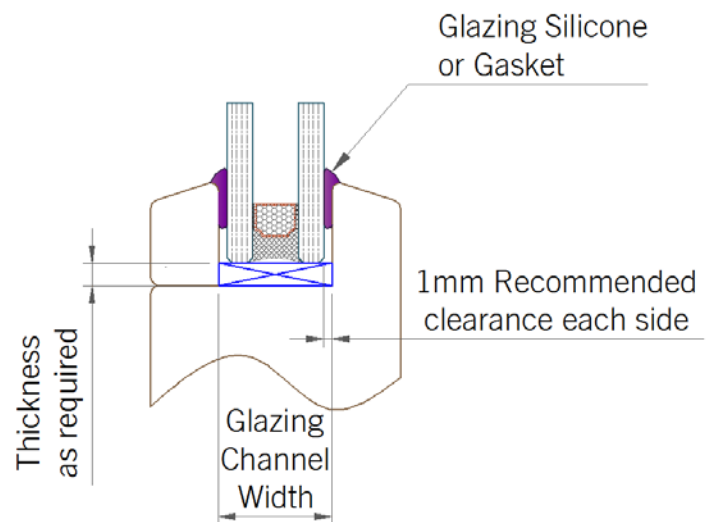


Glazing Packers are designed for aligning & levelling Insulated Glass Units. These can be used as a Support and Space packer. Elastic surface compensates for the offset of IGU panes while the ribbed construction maintains structural integrity. These packers are tested in compliance with AS 1683.15.2-1900.



|     | 20mm    | 24mm    | 28mm    | 30mm    | 34mm    |
|-----|---------|---------|---------|---------|---------|
| 1mm | N/A     | GP241   | 538 576 | 538 385 | 538 403 |
| 2mm | GP202   | N/A     | 538 378 | 538 388 | N/A     |
| 3mm | 539 418 | N/A     | 539 462 | 539 470 | 539 485 |
| 4mm | 539 420 | GP244   | 539 464 | 539 472 | N/A     |
| 5mm | GP205   | 539 444 | 539 466 | 539 474 | 539 489 |
| 6mm | N/A     | N/A     | 539 468 | 539 476 | N/A     |



Glazing Shovel  
MF-GLSHVL