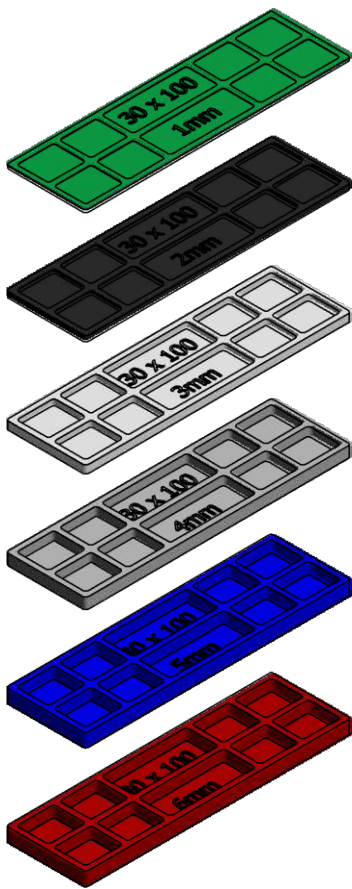
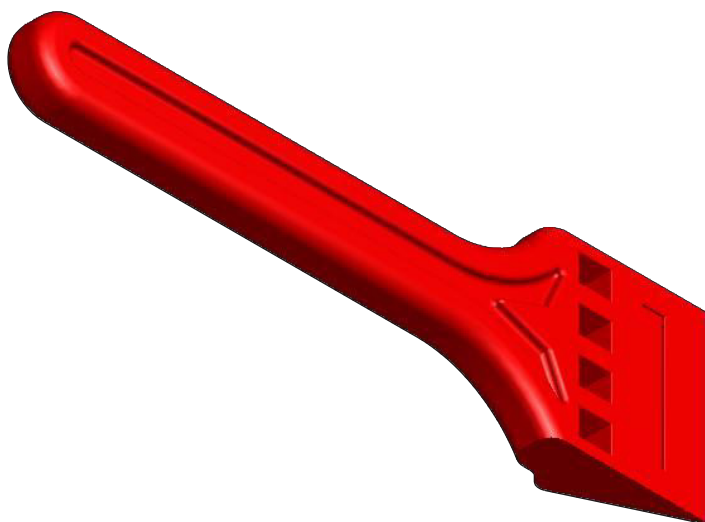
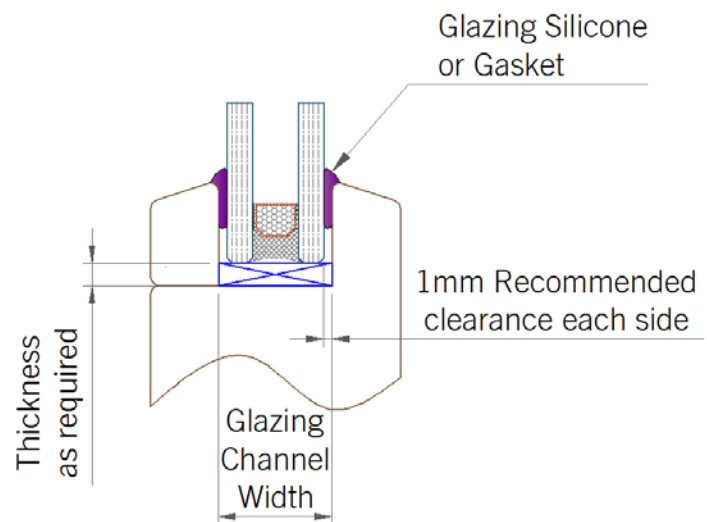


Glazing Packers are designed for aligning & levelling Insulated Glass Units. These can be used as a Support and Space packer. Elastic surface compensates for the offset of IGU panes while the ribbed construction maintains structural integrity. These packers are tested in compliance with AS 1683.15.2-1900.



	20mm	24mm	28mm	30mm	34mm
1mm	N/A	GP241	538 576	538 385	538 403
2mm	GP202	N/A	538 378	538 388	N/A
3mm	539 418	N/A	539 462	539 470	539 485
4mm	539 420	GP244	539 464	539 472	N/A
5mm	GP205	539 444	539 466	539 474	539 489
6mm	N/A	N/A	539 468	539 476	N/A



Glazing Shovel
MF-GLSHVL