



Austral Lock

YARRA SERIES



A division of

Gainsborough
fine quality door furniture

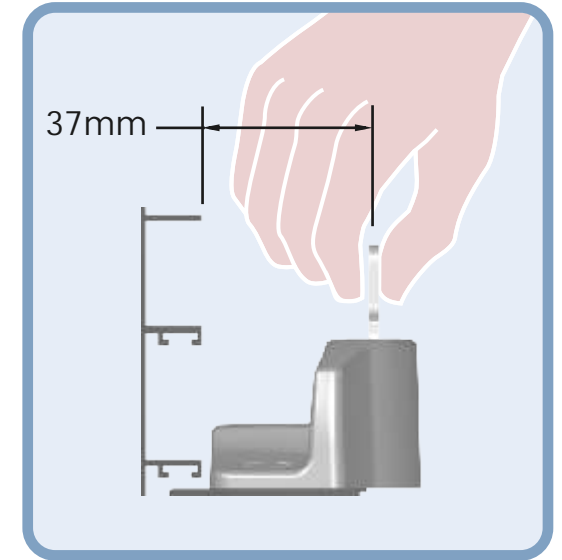
for sliding glass and timber doors

YARRA RIDGE

featuring an offset cylinder for easy operation



YARRA RIDGE - CLASSIC



offset cylinder gives increased knuckle clearance

- Offset cylinder gives increased knuckle clearance to operate key. The cylinder is 37mm from door-jamb.
- Twin counteracting beaks engage an all-metal catch plate, providing resistance to jemmying and restraining the door against being lifted from its rails.
- Self-adjusting catch plate is easy to install and automatically adjusts for movement and door wear.
- A range of outer pull designs are available to suit most applications.
- Anti-slam plunger prevents the door being shut with beaks extended, avoiding damage to beaks and catch.
- Optional 'Fat Pack' to install into doors up to 59mm thick.
- Available in a wide range of colours and finishes.
- Australian design and manufacture.

Door Materials

- Aluminium
- Timber
- UPVC

Door Sizes

Standard lock
21mm - 46mm
with 'Fat Pack'
47mm - 59mm

16mm
catch plate



25mm
catch plate



Range of Outer Pulls
to suit most applications.

YARRA VIEW

featuring a narrow footprint to suit a wide range of doors



YARRA VIEW - **SLIM**



YARRA VIEW - **EDGE**



YARRA VIEW - **CURVE**

- Narrow 30mm footprint suits a wide range of doors, including high strength doors with stiffening wings.
- Interior pull available in 3 contemporary styles : *SLIM*, *EDGE* and *CURVE*
- Twin counteracting beaks engage an all-metal catch plate, providing resistance to jemmying and restraining the door against being lifted from its rails.
- Self-adjusting catch plate is easy to install and automatically adjusts for movement and door wear.
- A range of outer pull designs are available to suit most applications.
- Anti-slam plunger prevents the door being shut with beaks extended, avoiding damage to beaks and catch.
- Optional 'Fat Pack' to install into doors up to 59mm thick.
- Available in a wide range of colours and finishes.
- Australian design and manufacture.

Door Materials

- Aluminium
- Timber
- UPVC

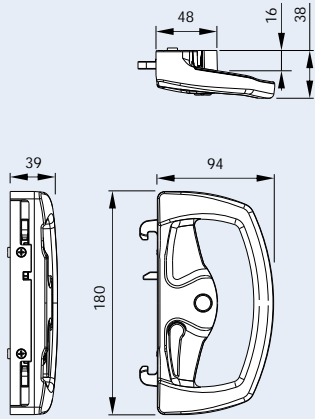
Door Sizes

Standard lock
21mm - 46mm
with 'Fat Pack'
47mm - 59mm

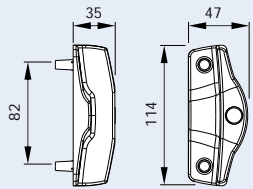


Range of Outer Pulls
to suit most applications.

YARRA RIDGE CLASSIC

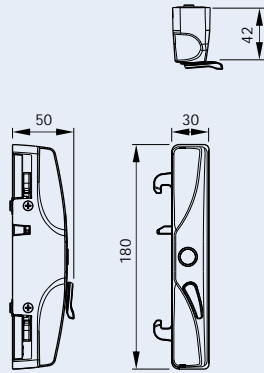


Yarra Ridge - CLASSIC Inner Pull

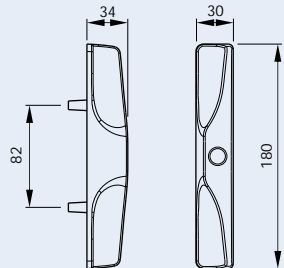


Standard Outer Pull

YARRA VIEW SLIM

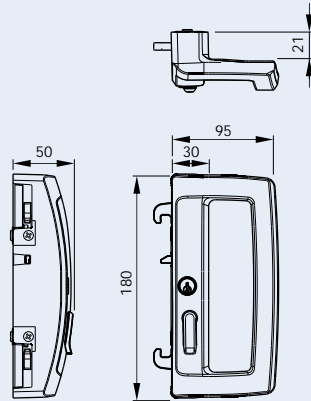


Yarra View - SLIM Inner Pull

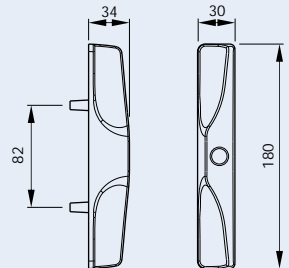


Yarra View - Standard Outer Pull

YARRA VIEW EDGE

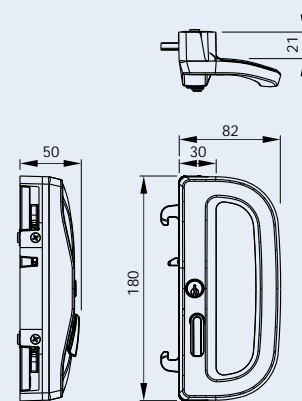


Yarra View - EDGE Inner Pull

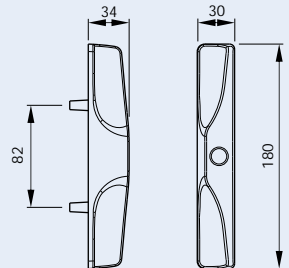


Yarra View - Standard Outer Pull

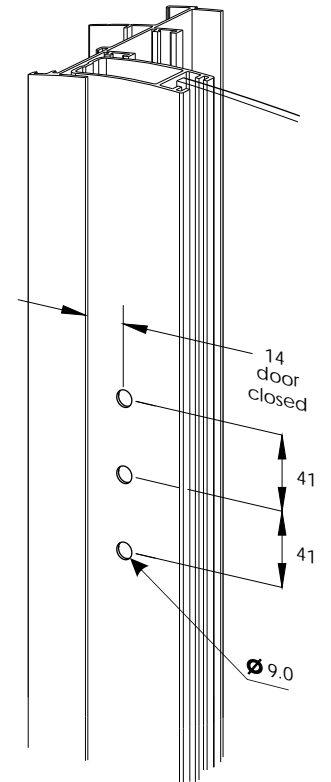
YARRA VIEW CURVE



Yarra View - CURVE Inner Pull



Yarra View - Standard Outer Pull



Door Cutouts ALUMINIUM DOOR JAMB AND STILE

Door Materials

- Aluminium
- Timber
- UPVC

Door Sizes

Standard lock
21mm - 46mm
with 'Fat Pack'
47mm - 59mm

Manufactured by:



Austral Lock

42 Export Drive, Brooklyn,
Victoria, 3012, Australia
Tel: (+61 3) 9314 1077
Fax: (+61 3) 9314 2400

Austral Lock Pty Ltd is a division of
GAINSBOROUGH Hardware Industries Limited



15-33 Alfred St,
Blackburn, VIC 3130
Tel: Melb (03) 9877 1555
Fax: Melb (03) 9894 1599

Distributed by:



1/11 Ashley Dve, Chelsea Heights, VIC Australia, 3196
PO Box 322, Patterson Lakes, VIC Australia, 3197
Tel: (03) 9773 3966 Fax: (03) 9773 3988
sales@fsa-us.com.au