



Multi-Point Door Locking Catalogue



Available from:



Fenestration Solutions Australia Pty Ltd

ABN: 94 133 390 593

1/11 Ashley Park Dve, Chelsea Heights, VIC Australia, 3196

PO Box 322, Patterson Lakes, VIC Australia, 3197

Ph: +61 (3) 9773 3966

Fax: +61 (3) 9773 3988

Email: sales@fsa-us.com.au

Web: www.fsa-us.com.au

Index

Section	Page
Winkhaus Multi-Point Locking - Introduction	1
Handle Selection	3
French Door	4
Door Height 2029mm To 2109mm	4
Door Height 2110mm To 2423mm	5
Door Height 2424mm To 2707mm	6
Door Height 2708mm To 2990mm	7
Fabrication French Door	8
Cropping Details for Corner Drives	8
Machining Details Active Door	9
Machining Details Inactive Door	10
Cross Section Details - Top View	11
Single Door	12
Door Height 2100mm To 2399mm	12
Door Height 2400mm +	13
Fabrication Single Door	14
Machining Details Door - 3 Point	14
Machining Details Frame - 3 Point	15
Machining Details Door - 4 Point	16
Machining Details Frame - 4 Point	17
Cross Section Details - Top View	18
Sliding Door	19
Fabrication Sliding Door	21
Machining Details Frame - Sliding Door	21

notes



Winkhaus Multi-Point Locking



- **Protection And Security As A Basic Requirement**

It is everyone's right to have a safe and secure environment in their own home. With 3, 5, 7 or 9 points of locking using STV hooks which are designed to interlock into steel keeps within the door frame, Winkhaus Multipoint Locking Systems offer a safe and secure living environment which ensures freedom from outside influences which would otherwise create a feeling of uneasiness and insecurity.

- **Increases Energy Efficiency**

With greater importance being placed on energy efficiency, Winkhaus Multipoint Doors Locks come to the fore. The hooks are specifically tapered by design to pull the doors tightly onto the door frame seals which provides a complete seal around the perimeter of the door, ensuring increased energy efficiency.

- **Reduced Noise Levels**

Because the doors remain tightly sealed the resistance to noise traveling between the door and door frame is much greater, so the inside of the house remains much quieter, even during busy times.

- **“True” French door operation**

No need to bend down or climb on a chair. At the front or the back of the house, Winkhaus provides the security for double sash swinging doors with smooth operating forces via “true” French door operation with handle sets on both sides.

- **Fits Doors Up To 3 Meters High**

Winkhaus Multipoint locking systems can be provided for doors from as little as 2029mm to doors up to 3000mm at a handle height of 1050mm. If the door handle is mounted higher, even taller doors may be catered for.

- **Minimizes The Risk Of The Doors Bowing And Warping**

Varying weather conditions, such as hot, dry days or cold, wet or even frosty nights often have long-lasting effects on natural materials, especially timber. Because the lock is designed to hold the door tightly into the door frame at various points, Winkhaus Multipoint Door Locking Systems offer greater resistance to doors permanently bowing or twisting.



Winkhaus Multi-Point Locking

- **Cleaner Lines And A More Balanced Look To The Door**

Winkhaus Multipoint Locks achieve cleaner lines in the finished doors because there is no longer a requirement for unsightly flush bolts and after-market locking systems to achieve a medium to high level of door security. The doors are given a more balanced look with no need to bend down or climb up to release either door locks.

- **Totally Concealed Inside The Door**

Winkhaus Multipoint Locking Systems are built into the door during manufacture and run the complete length of the door style. This offers far greater strength as well as security.

- **Easy Locking And Unlocking**

Winkhaus Multipoint locking systems provide the user with easy trouble free locking and unlocking. Lift the handle to engage locks and depress the handle to unlock the door. Typical German engineering ensures trouble-free operation throughout the years. Locks and shoot bolts are engaged simultaneously as the door handles are lifted. Easy key insertion. The mechanical construction of the STV ensures that no internal pressure acts upon the cylinder cam in the locking position. It is therefore always easy to insert the key in the cylinder.

- **Flexibility And Functionality**

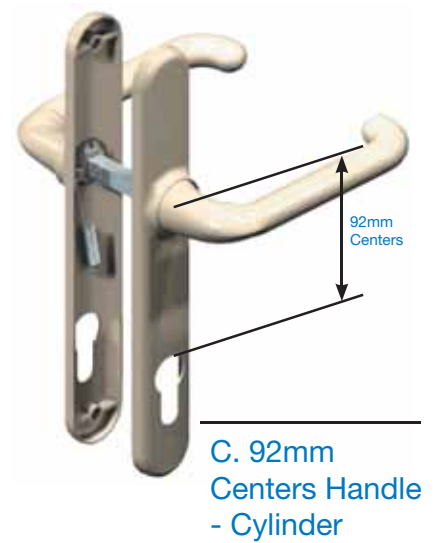
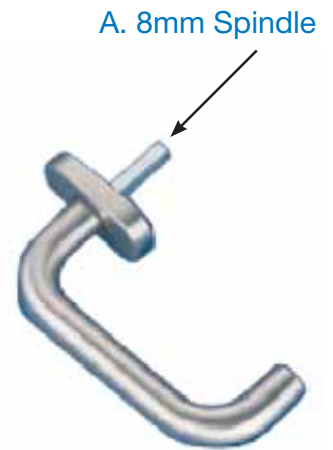
Winkhaus Multipoint locking systems can fit a wide variety of Door Materials, including timber, Aluminum, Steel and uPVC.



Handle Selection

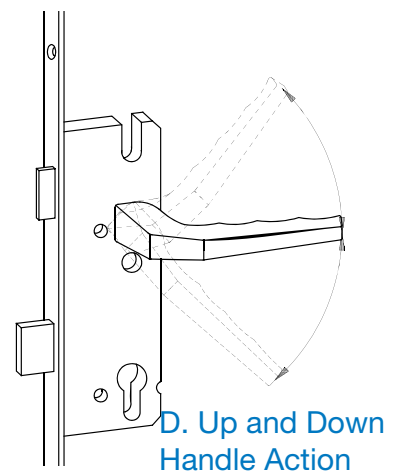
• Handle Selection -When Using Lever & Plate

- A** Handles Must Have 8mm Spindle
- B** Must have punch out for Euro profile Cylinders
- C** Must be 92mm Centers Handle - Cylinder
- D** Handle Must be Able to Move in both directions ----- Up and Down

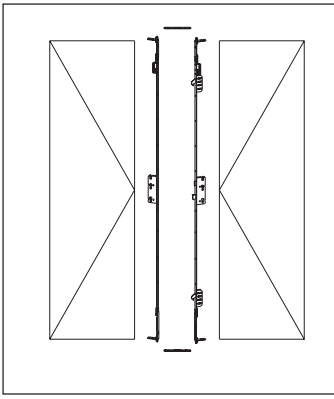


• Handle Selection - When Using Lever & Rose Style

- A** Handles Must Have 8mm Spindle
- E** Cylinder escutcheons must suit Euro profile Cylinders
- D** Handle Must be Able to Move in both Directions ----- Up and Down



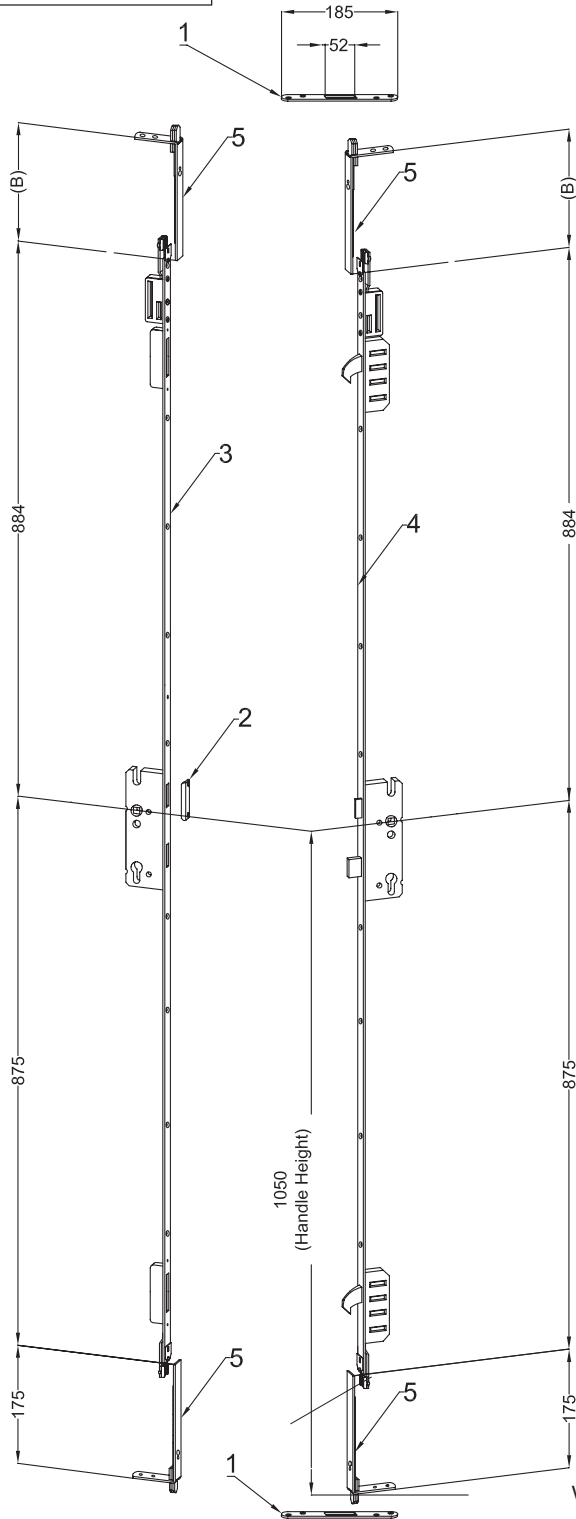
B & E. Euro Profile Escutcheons



FRENCH DOOR

Door Height 2029mm To 2109mm

WH-FD20/21



Viewed from Outside- Right Hand

Comprises of:

- 1 - Single strike
- 2 - Latch Protector
- 3 - Inactive Door Lock
- 4 - Active Door Lock
- 5 - Corner Drives

Security Door Locking System		
	Part	Quantity per door
1	Single Strike SB STV-MK	2
2	Latch Protectr	1
3	Inactive Door Lock STV-FGTE 2060/45 92/ 8 ME	1
4	Active Door Lock STV-FGT 2060/45 92/ 8 M2	1
5	Corner Drive ASS STV-A 175 (B= from 175 mm to 102 mm croppable) Refer Page 8 for Cutting Details	4

Note: The Security Door Locking System (STV) are also available in special backsets and lock rail finishes; please ask.

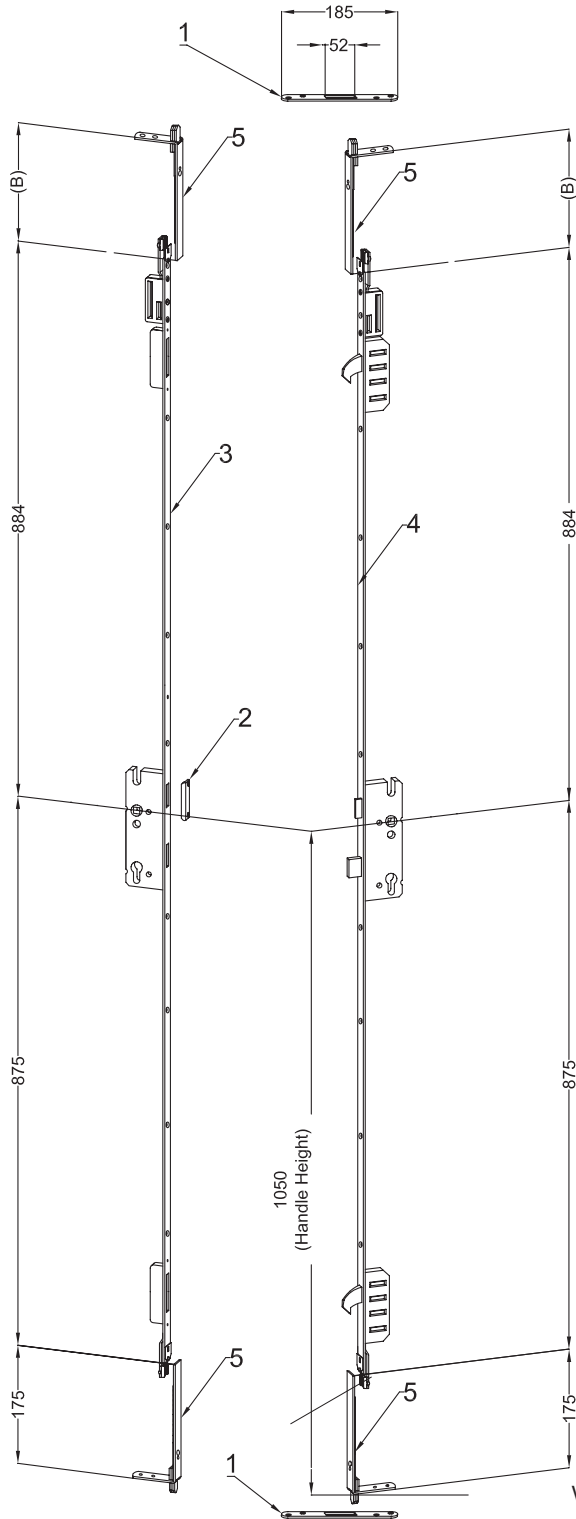
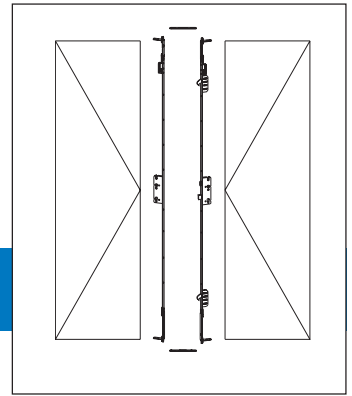
Note: Please read and take note of our product liability instruction. Failure of the installer or end user to obey these instructions will free the manufacturer of any and all product liability.

Note: For more effective installation we advise use a Winkhaus jig system for drilling and milling.

FRENCH DOOR

Door Height 2110mm To 2423mm

WH-FD21/24



Viewed from Outside- Right Hand

Comprises of:

- 1 - Single strike
- 2 - Latch Protector
- 3 - Inactive Door Lock
- 4 - Active Door Lock
- 5 - Corner Drives

Security Door Locking System		
	Part	Quantity per door
1	Single Strike SB STV-MK	2
2	Latch Protector	1
3	Inactive Door Lock STV-FGTE 2060/45 92/ 8 ME	1
4	Active Door Lock STV-FGT 2060/45 92/ 8 M2	1
5	Corner Drive ASS STV-A 175 (B= from 175 mm to 102 mm croppable) Refer Page 8 for Cutting Details	4
5	Corner Drive ASS STV-A 489 ydi (B= from 489 mm to 206 mm croppable) Refer Page 8 for Cutting Details	2

Note: The Security Door Locking System (STV) are also available in special backsets and lock rail finishes; please ask.

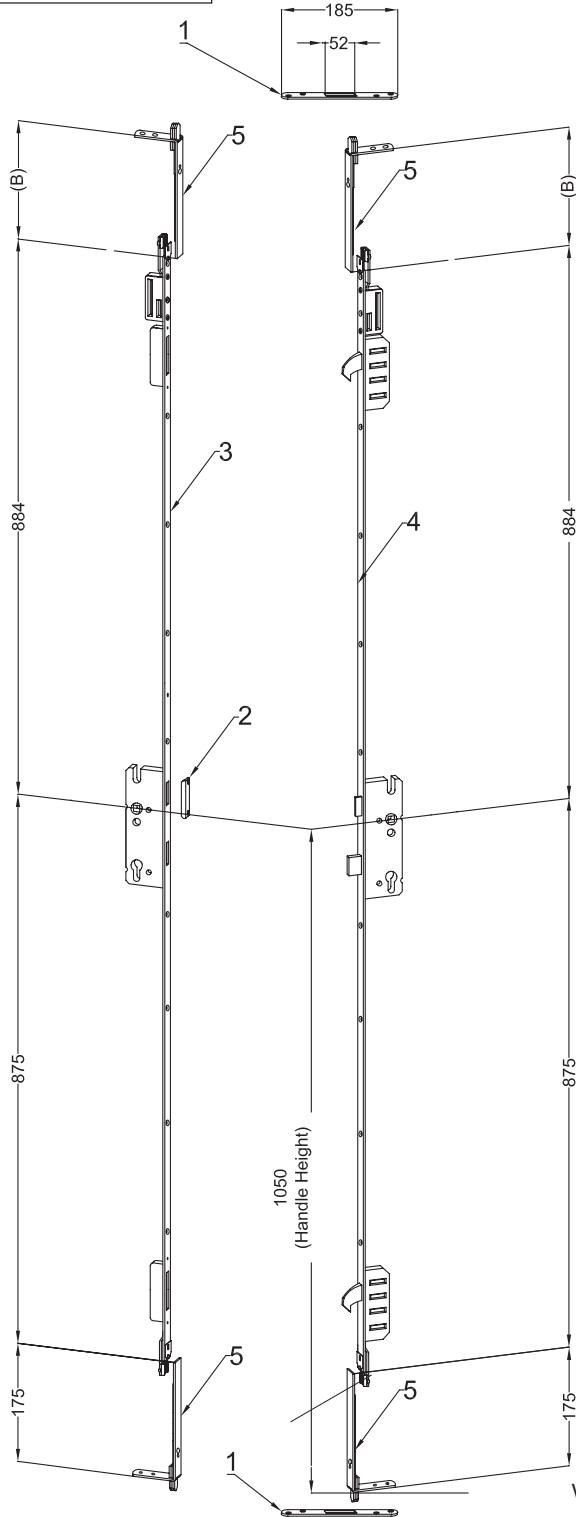
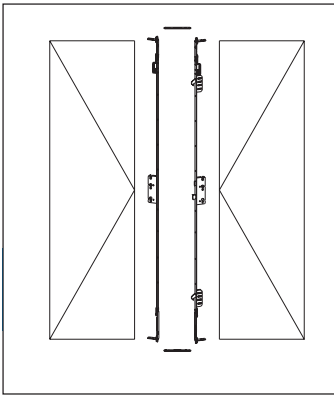
Note: Please read and take note of our product liability instruction. Failure of the installer or end user to obey these instructions will free the manufacturer of any and all product liability.

Note: For more effective installation we advise use a Winkhaus jig system for drilling and milling.

FRENCH DOOR

Door Height 2424mm To 2707mm

WH-FD24/27



Comprises of:

- 1 - Single strike
- 2 - Latch Protector
- 3 - Inactive Door Lock
- 4 - Active Door Lock
- 5 - Corner Drives

Security Door Locking System		
	Part	Quantity per door
1	Single Strike SB STV-MK	2
2	Latch Protector	1
3	Inactive Door Lock STV-FGTE 2060/45 92/ 8 ME	1
4	Active Door Lock STV-FGT 2060/45 92/ 8 M2	1
5	Corner Drive ASS STV-A 175 (B= from 175 mm to 102 mm croppable) Refer Page 8 for Cutting Details	4
5	Corner Drive ASS STV-A 489 ydi (B= from 773 mm to 489 mm croppable) Refer Page 8 for Cutting Details	2

Note: The Security Door Locking System (STV) are also available in special backsets and lock rail finishes; please ask.

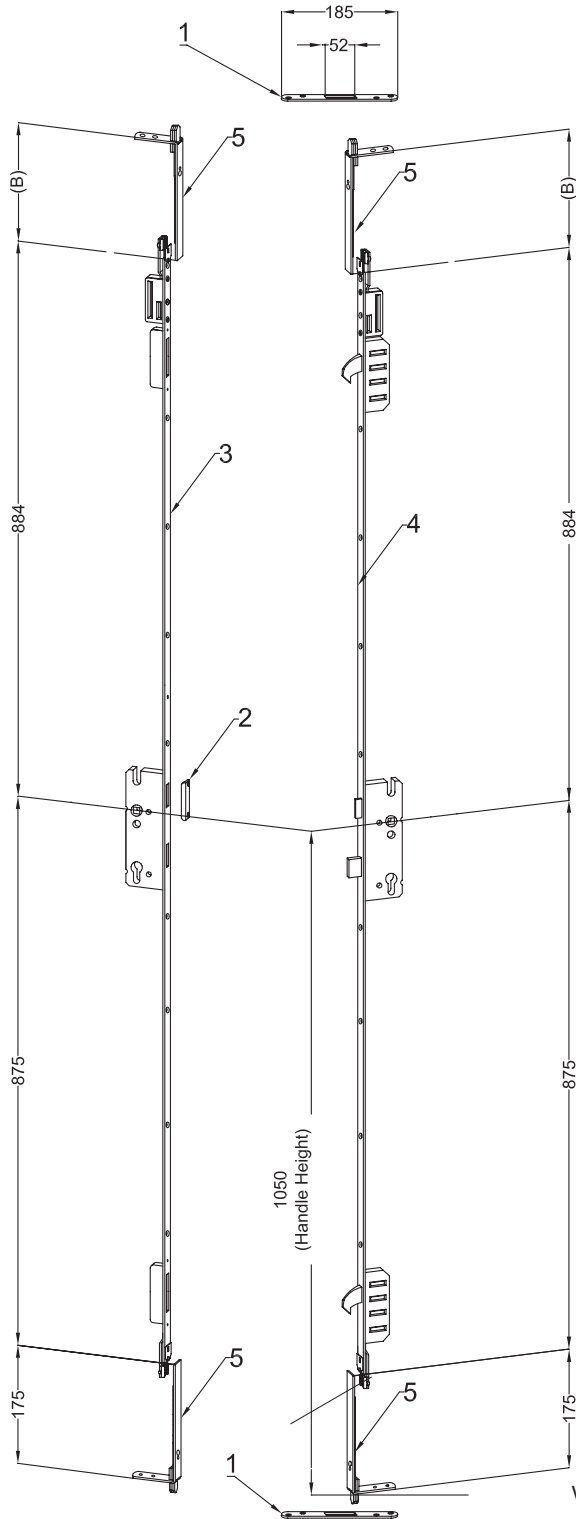
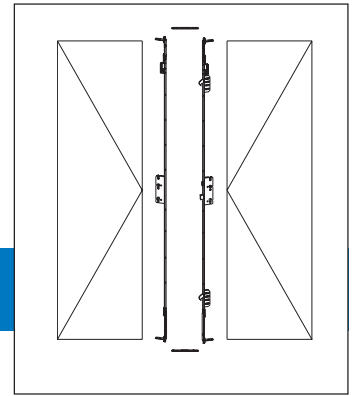
Note: Please read and take note of our product liability instruction. Failure of the installer or end user to obey these instructions will free the manufacturer of any and all product liability.

Note: For more effective installation we advise use a Winkhaus jig system for drilling and milling.

FRENCH DOOR

Door Height 2708mm To 2990mm

WH-FD27/29



Comprises of:

- 1 - Single strike
- 2 - Latch Protector
- 3 - Inactive Door Lock
- 4 - Active Door Lock
- 5 - Corner Drives

Security Door Locking System		
	Part	Quantity per door
1	Single Strike SB STV-MK	2
2	Latch Protector	1
3	Inactive Door Lock STV-FGTE 2060/45 92/ 8 ME	1
4	Active Door Lock STV-FGT 2060/45 92/ 8 M2	1
5	Corner Drive ASS STV-A 175 (B= from 175 mm to 102 mm croppable) Refer Page 8 for Cutting Details	4
5	Corner Drive ASS STV-A 773 (B= from 1056 mm to 773 mm croppable) Refer Page 8 for Cutting Details	2

Note: The Security Door Locking System (STV) are also available in special backsets and lock rail finishes; please ask.

Note: Please read and take note of our product liability instruction. Failure of the installer or end user to obey these instructions will free the manufacturer of any and all product liability.

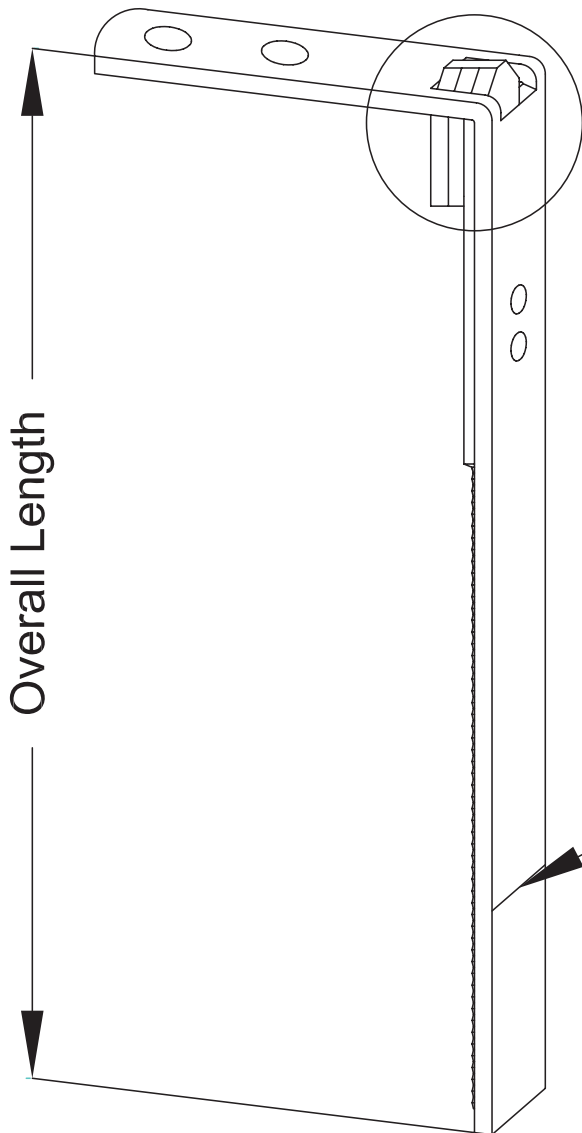
Note: For more effective installation we advise use a Winkhaus jig system for drilling and milling.

Viewed from Outside- Right Hand

Fabrication French door

Cropping Details for Corner Drives

STV-A Corner Drive



1. Calculate the required length of the TOP (only) corner drive:
Formula = Overall door (sash) height minus 1934mm**
2. Ensure shootbolt is fully RETRACTED into corner drive.
3. Straight cut both the face plate AND the drive rod to the length calculated in step 1.

** This dimension is based on a standard handle height of 1050mm.

Available Corner Drives:

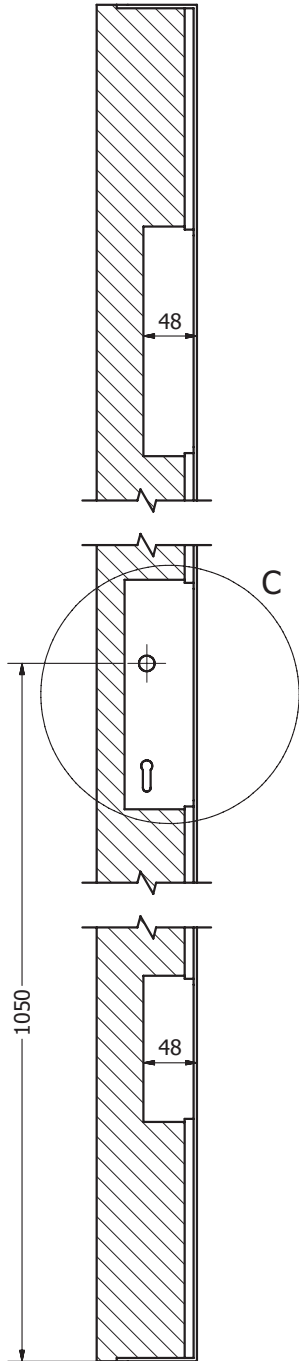
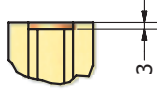
STV-A 175 175mm overall length - croppable from 175 to 102mm
STV-A 206 206mm overall length - croppable from 206 to 102mm
STV-A 489 489mm overall length - croppable from 489 to 206mm
STV-A 773 773mm overall length - croppable from 773 to 490mm
STV-A 1056 1056mm overall length - croppable from 1056 to 773mm

Cropping Line
(This line represents the furthest the corner drive can be cropped back).

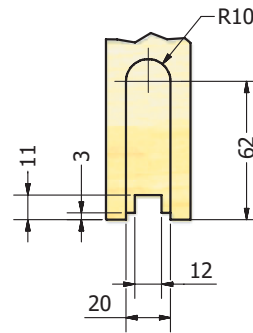
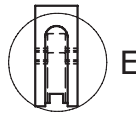
Fabrication French Door

Machining Details Active Door

DETAIL: F
SCALE: (1 : 2)

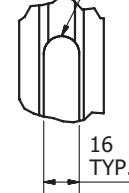


SECTION: B-B

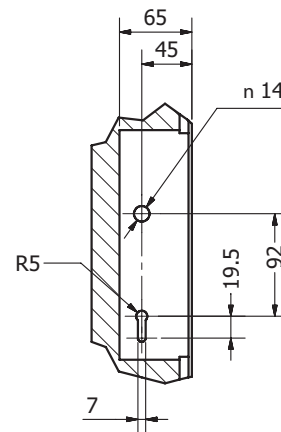
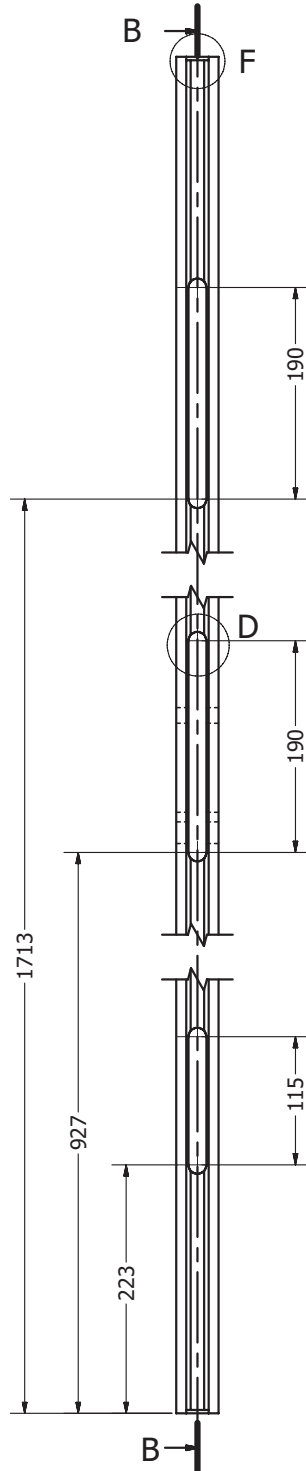


DETAIL: E
SCALE: (1 : 2)

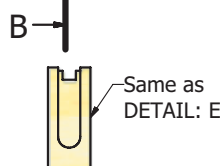
FULL RADIUS
TYP.



DETAIL: D
SCALE: (1 : 2)

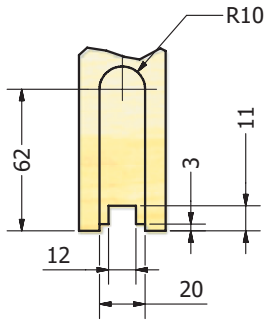


DETAIL: C

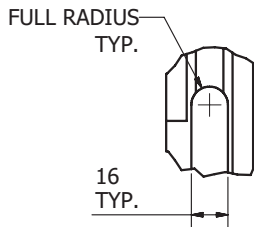


Fabrication French door

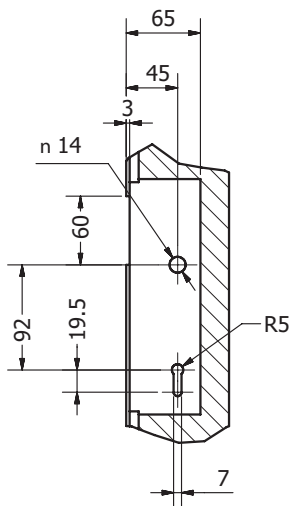
Machining Details Inactive Door



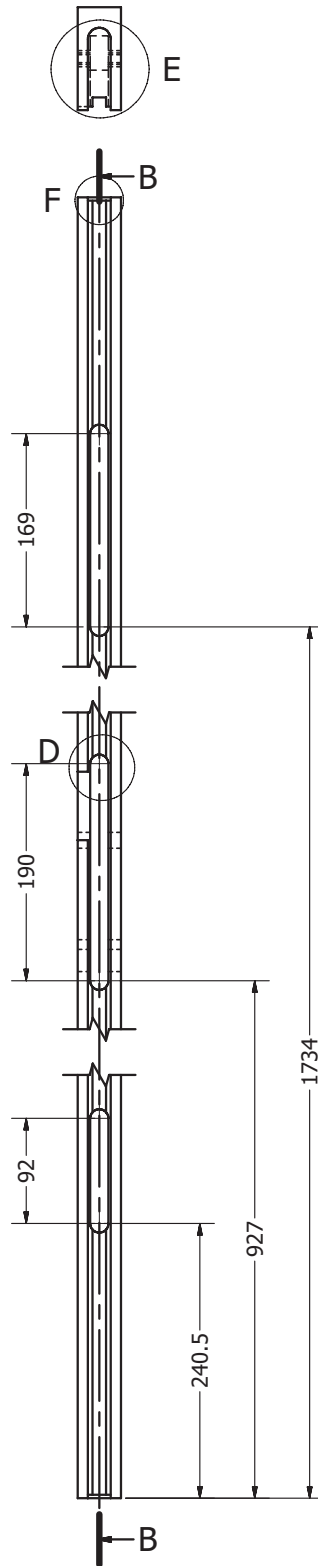
DETAIL: E
SCALE: (1 : 2)



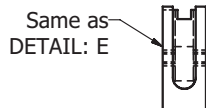
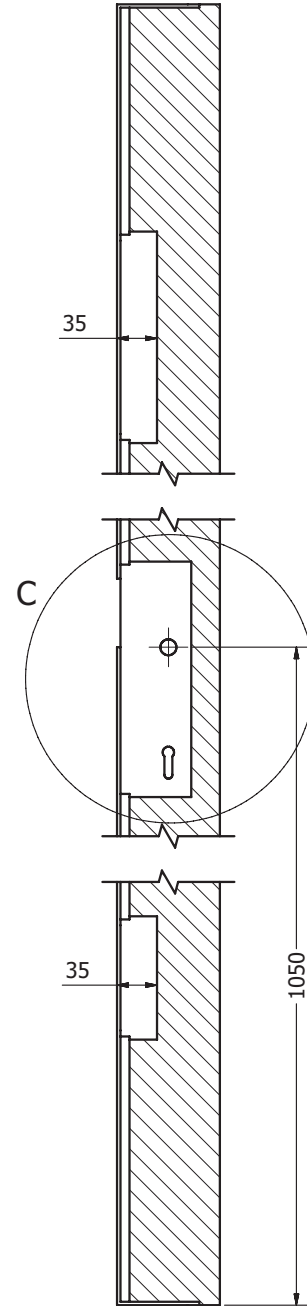
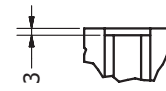
DETAIL: D
SCALE: (1 : 2)



DETAIL: C



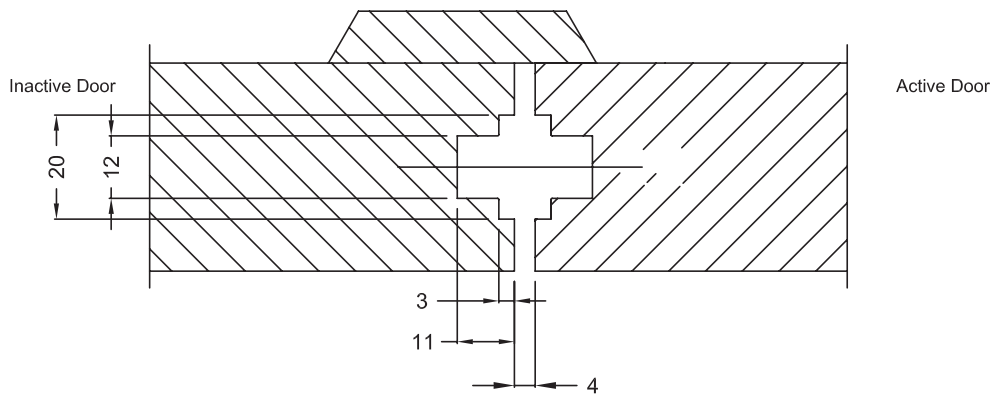
DETAIL: F
SCALE: (1 : 2)



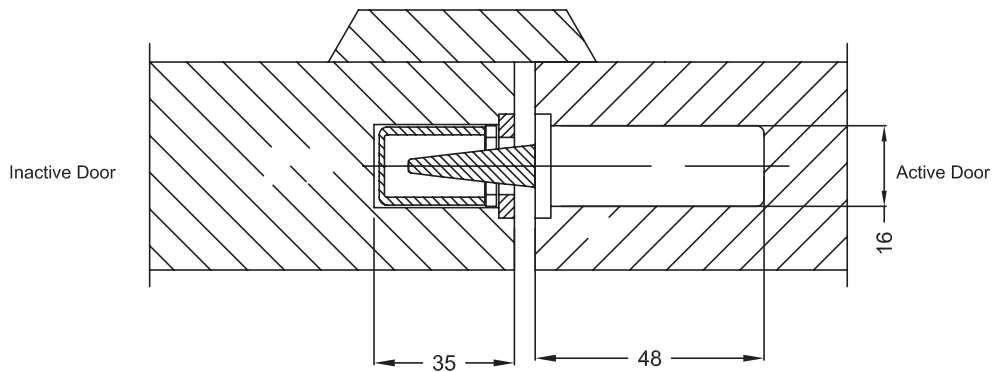
Fabrication French Door

Cross Section Details - Top View

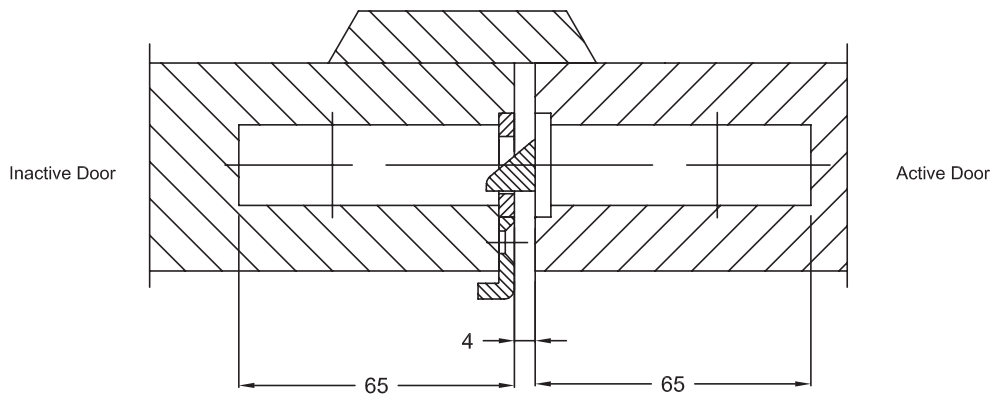
Cross section doors only
Showing airgap (4mm optimal)



Cross section Hook boxes
Showing cut outs (for top & bottom)



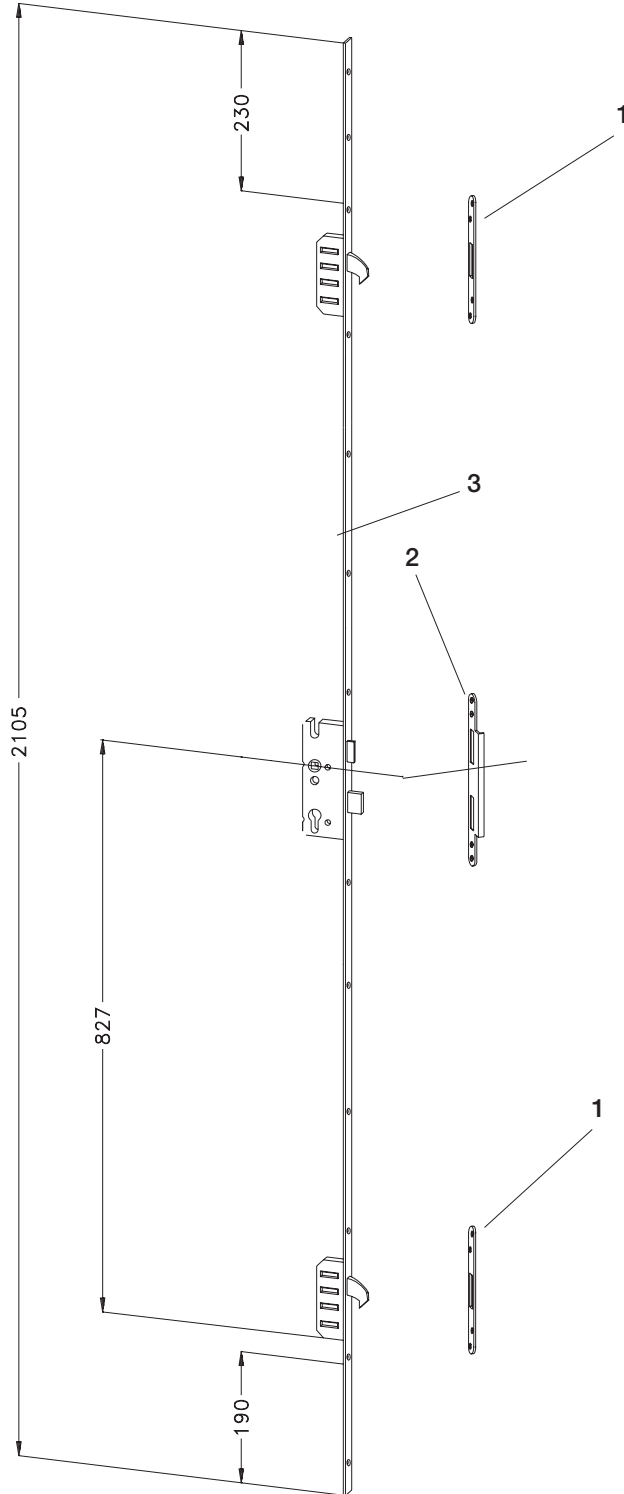
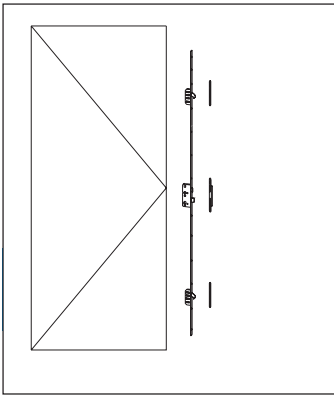
Cross section door latch
Showing cut outs & latch protector



SINGLE DOOR

Door Height 2100mm To 2399mm


WH-SD21/23





Comprises of:

- 1 - Single strike
- 2 - Center strike
- 3 - Single Door Lock

Security Door Locking System		
	Part	Quantity per door
1	Single strike SB STV-MK	2
2	Center strike SB STV-K	1
3	Single Door Lock STV-FG 2060/45 92/ 8 M2	1

 Note: The Security Door Locking System (STV) are also available in special backsets and lock rail finishes; please ask.

 Note: Please read and take note of our product liability instruction. Failure of the installer or end user to obey these instructions will free the manufacturer of any and all product liability.

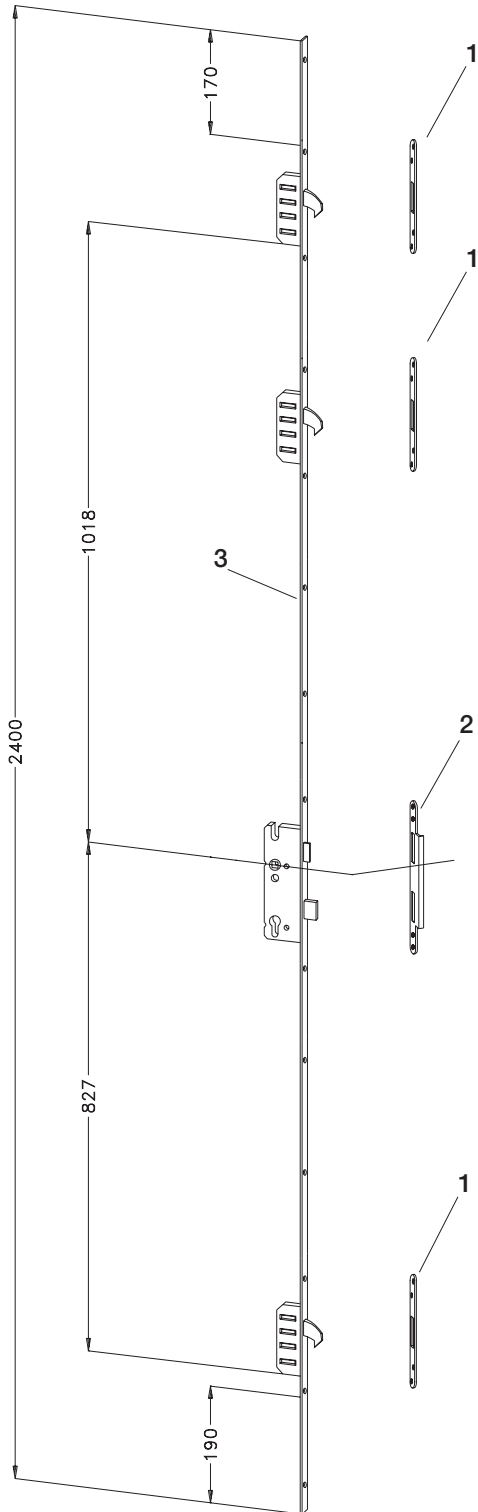
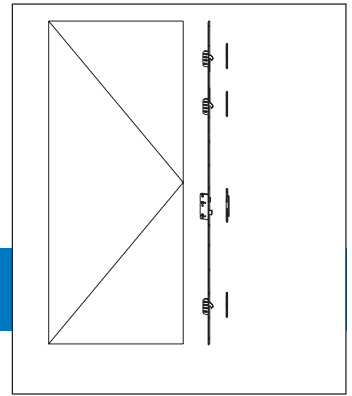
 Note: For more effective installation we advise use a Winkhaus jig system for drilling and milling.

Viewed from Outside- Left Hand

SINGLE DOOR

Door Height 2400mm +


WH-SD24/27





Comprises of:

- 1 - Single strike
- 2 - Center strike
- 3 - Single Door Lock

Security Door Locking System		
	Part	Quantity per door
1	Single strike SB STV-MK	3
2	Center strike SB STV-K	1
3	Single Door Lock STV-FG 2069/45 92/ 8 M3	1

 Note: The Security Door Locking System (STV) are also available in special backsets and lock rail finishes; please ask.

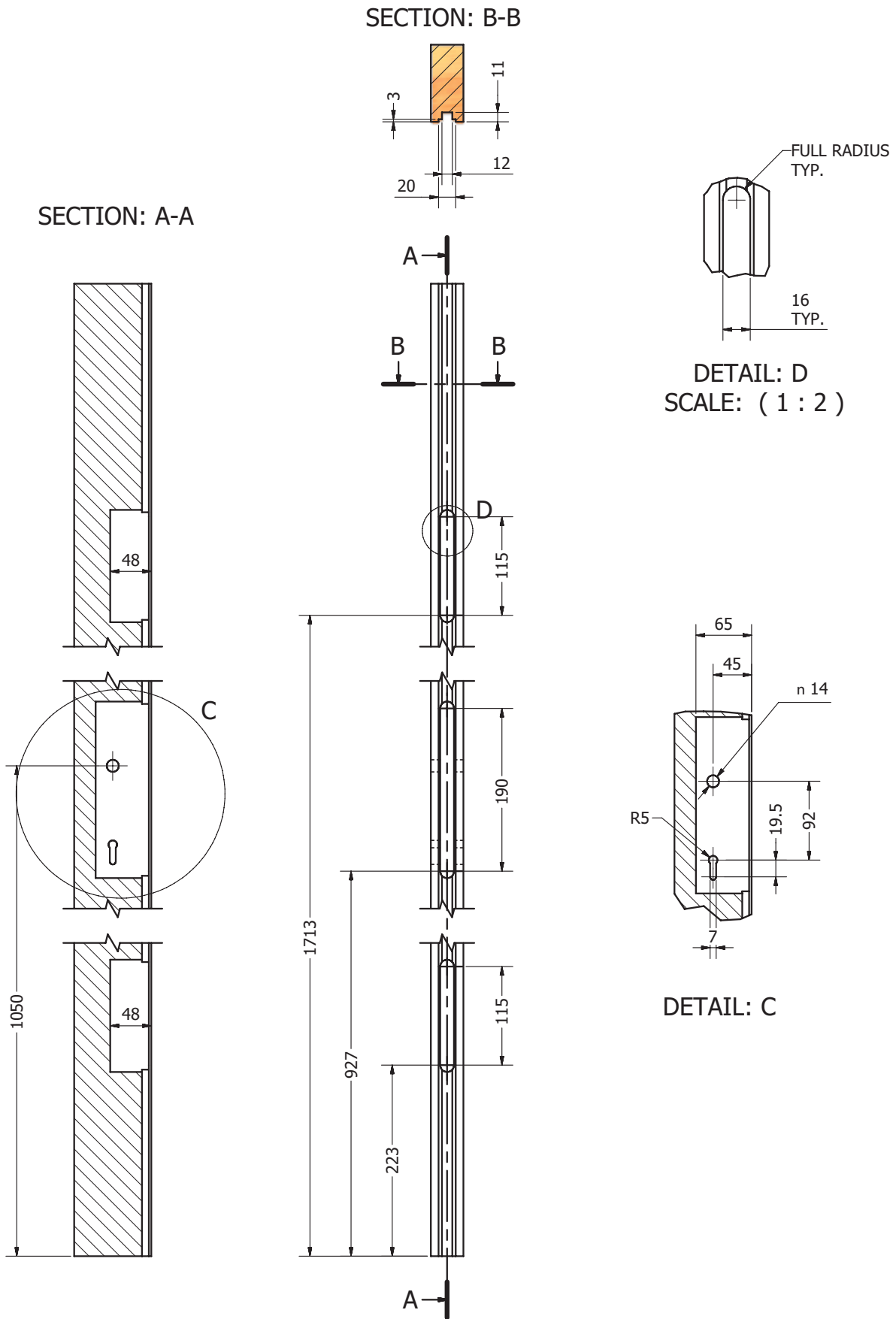
 Note: Please read and take note of our product liability instruction. Failure of the installer or end user to obey these instructions will free the manufacturer of any and all product liability.

 Note: For more effective installation we advise use a Winkhaus jig system for drilling and milling.

Viewed from Outside- Left Hand

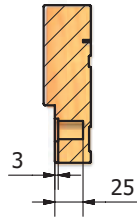
Fabrication Single Door

Machining Details Door - 3 Point

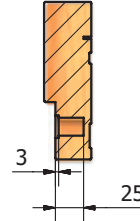


Fabrication Single Door

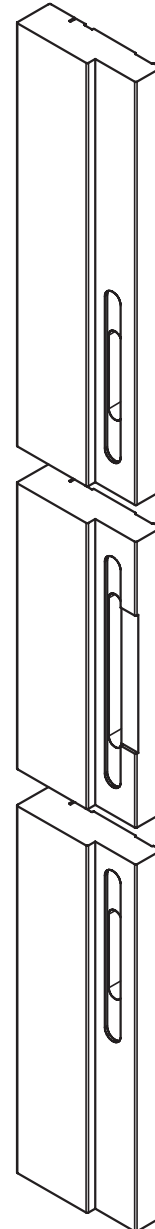
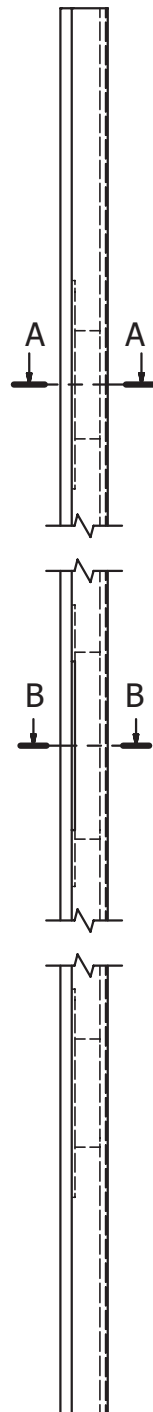
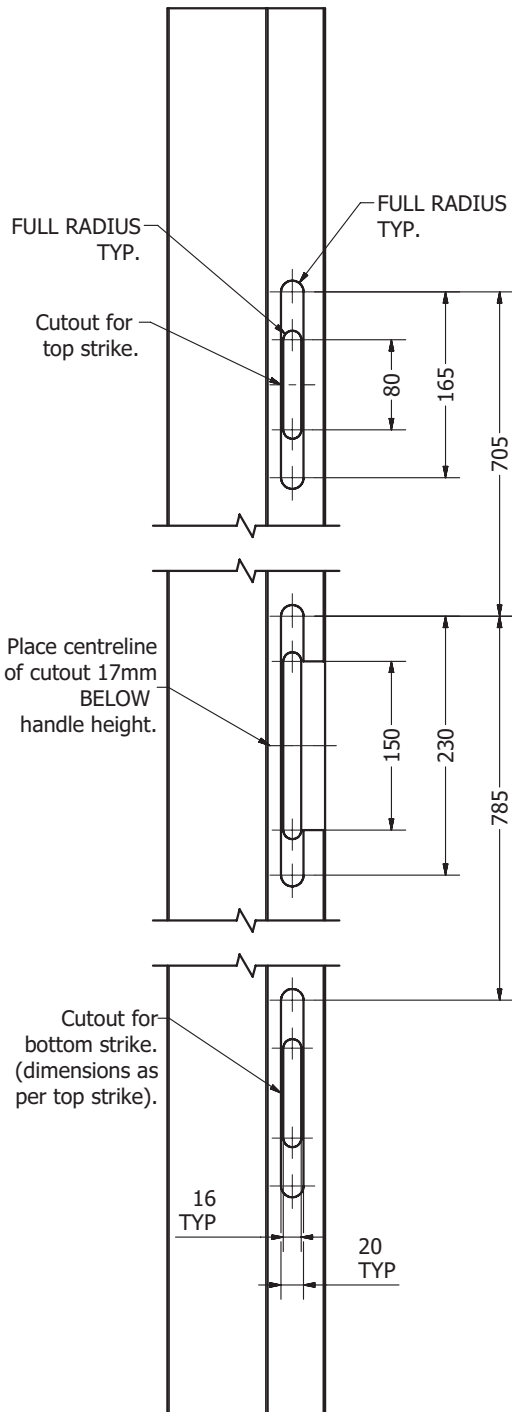
Machining Details Frame - 3 Point



SECTION: B-B

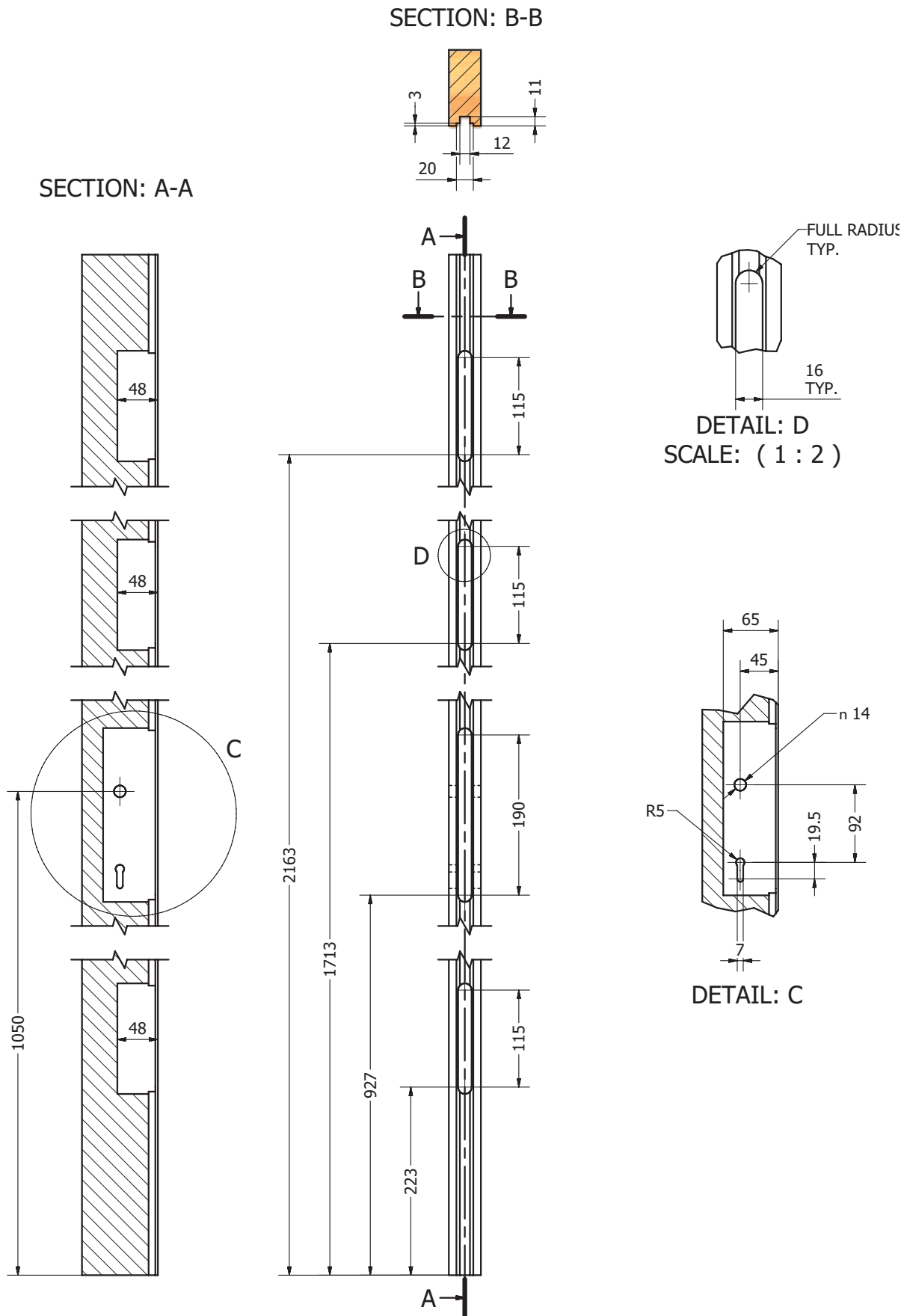


SECTION: A-A



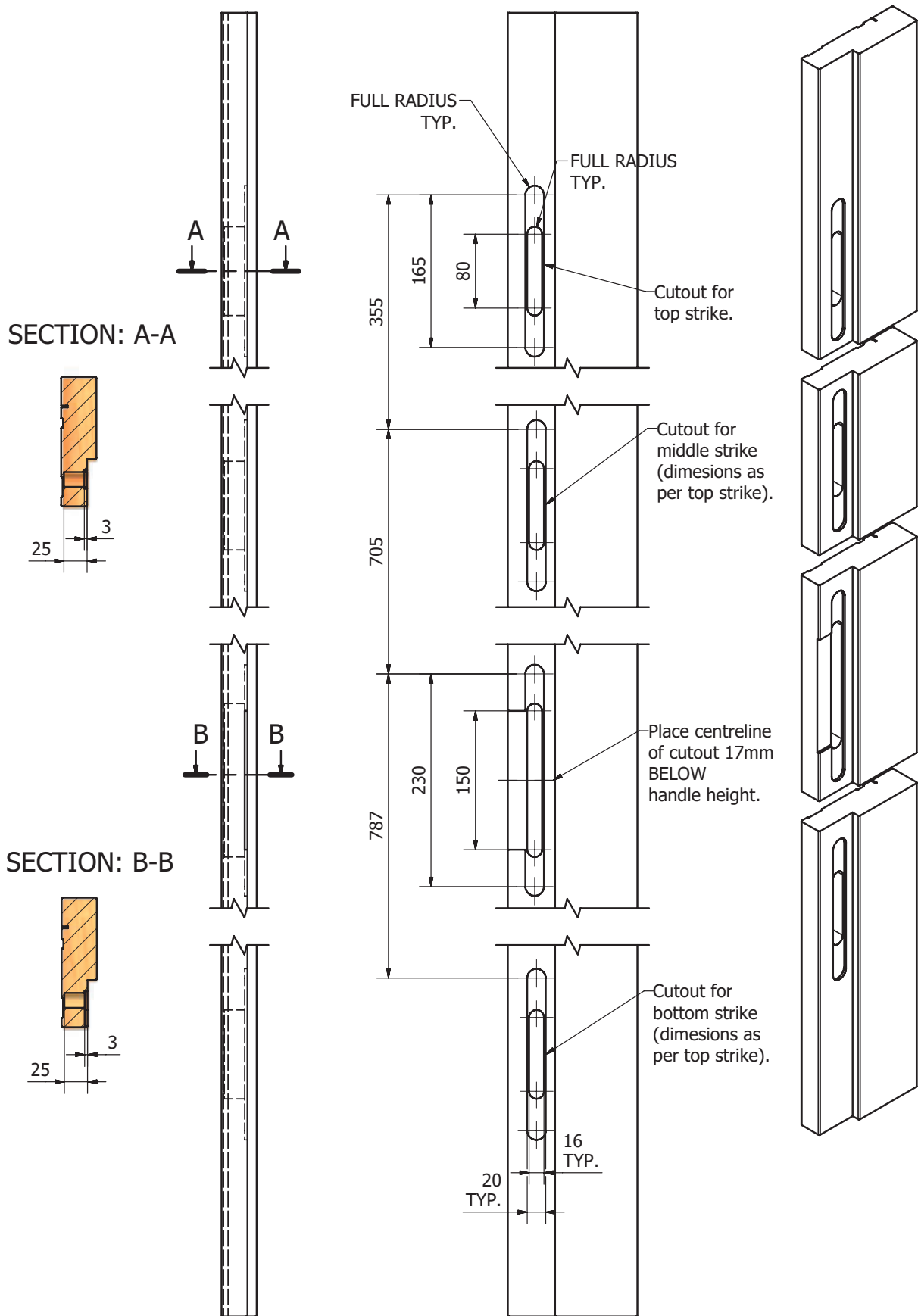
Fabrication Single Door

Machining Details Door - 4 Point



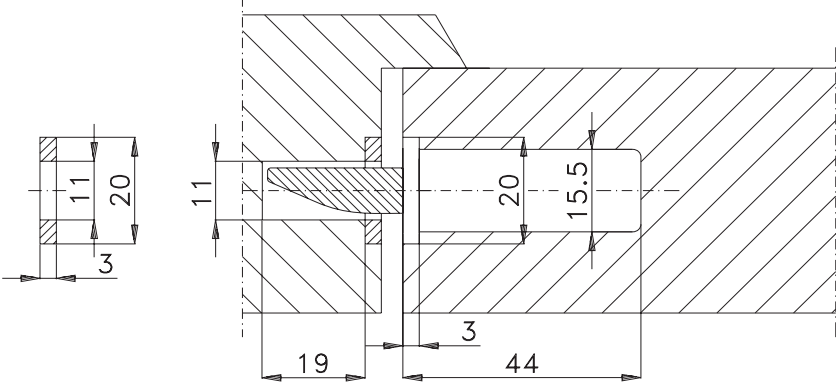
Fabrication Single Door

Machining Details Frame - 4 Point

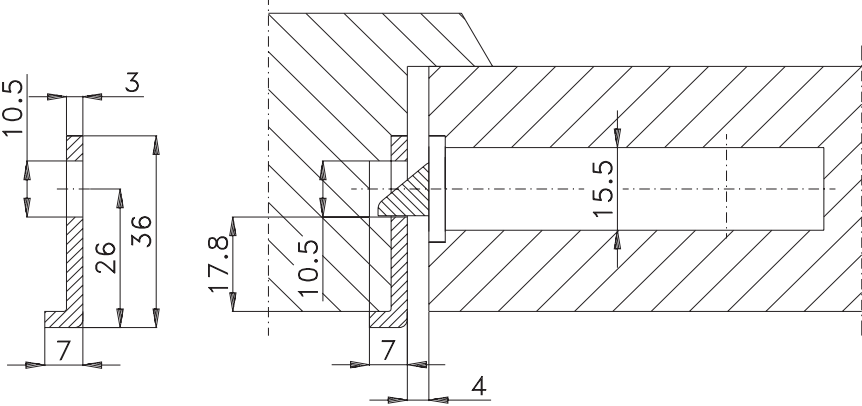


Fabrication Single Door

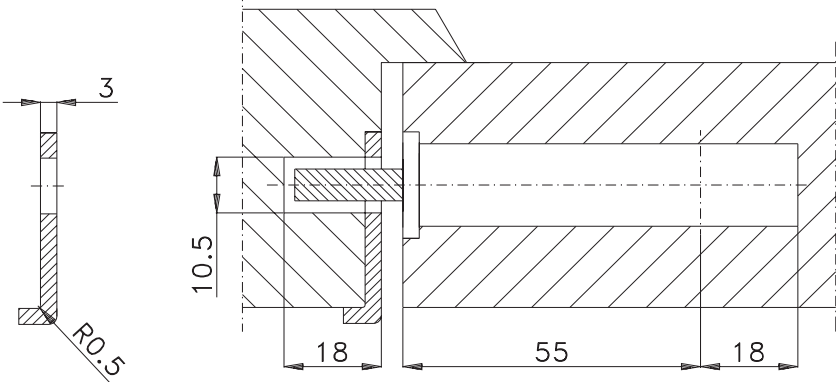
Cross Section Details - Top View



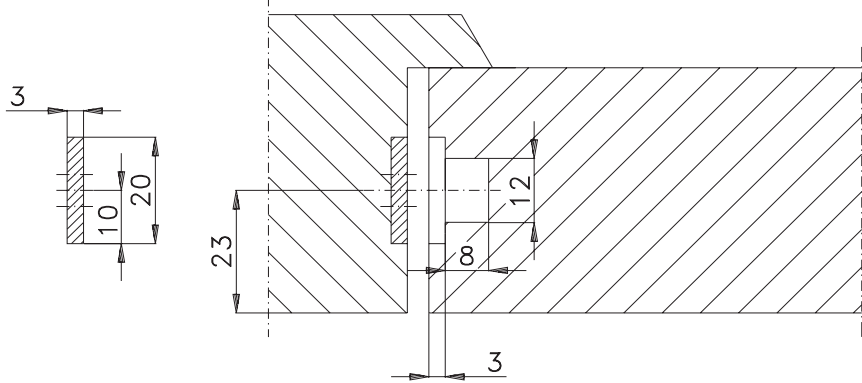
Top view
Hook



Top view
Latch



Top view
Dead bolt



Top view
Positions of the strikes