

TPV Door and Window Seals with removable Paint Foil

These seals have been designed specifically for the Australian Market to help improve the overall performance of our timber windows and doors.

These gaskets are made from the group of thermosetting plastics known as Thermoplastic Vulcanizates or TPVs, because they are based on vulcanized rubber. Gaskets made from TPVs are characterised by low compression set, superior flex fatigue resistance, wide temperature range performance and excellent ozone and chemical resistance. As a result, TPV rubber will not perish, discolour or crack even after long-term use.

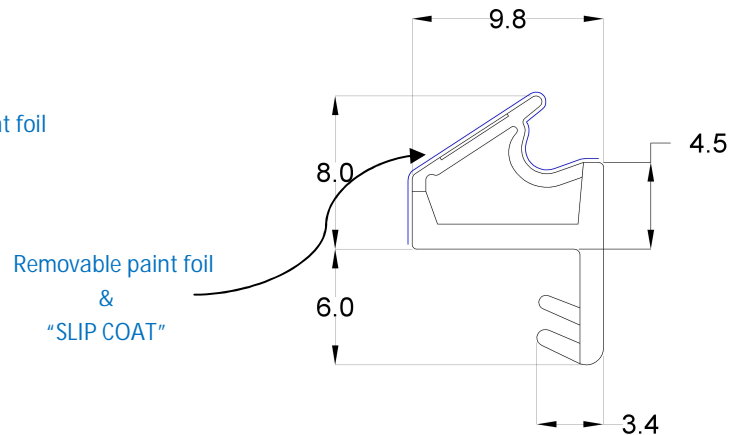
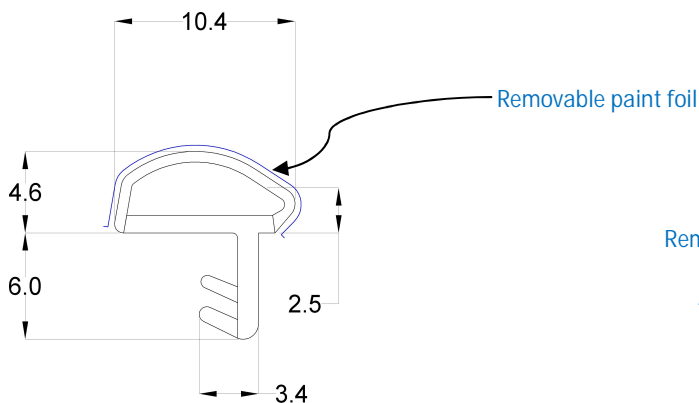
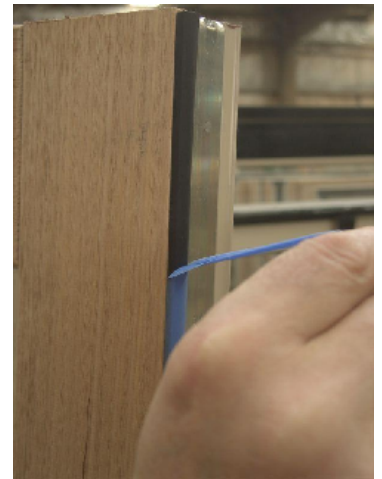
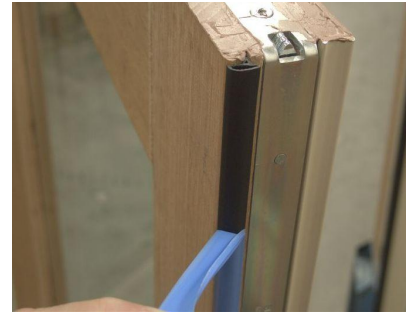
TPV seals also have the following advantages over conventional "foam filled" seals:

1. They are fully "weldable", thus offering the ability to have a 100% continuous seal around the whole sash/ frame. This leaves no gaps on the sash or frame corners for air or water to leak through.
2. They are 100% water resistant so no "wicking" of water. This eliminates seal deterioration and rotting.
3. They are a fully extruded profile and therefore they are not subject to tearing, splitting or unwrapping!

Additional to these advantages is the [removable paint foil](#). How does this help?

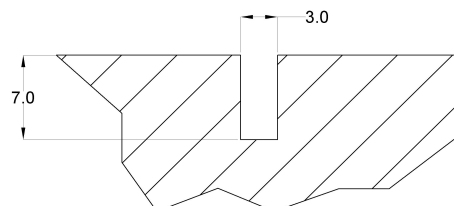
- No more issues with being recalled to jobs because the windows won't open because they are painted shut.
- Painters can just paint over the seals and when the paint is dry they just peel back the blue foil.

Finally, for an added benefit, the FS-PFS21 has a "slip coat" on the surface of the seal to reduce drag and improve the operation of the sash.



Part No	Colour	UOM	Stock	
			Item	Lead time
FS-PFS48BK	Black	Roll	Yes	Ex-works
FS-PFS48BZ	Bronze	Roll	No	4-6 weeks*

Part No	Colour	UOM	Stock	
			Item	Lead time
F-PFS21BK	Black	Roll	Yes	Ex-works
FS-PFS21BZ	Bronze	Roll	No	4-6 weeks*



Recommended Saw Kerf

*Minimum order quantities may apply